

1623-2 Earth/Ground Tester

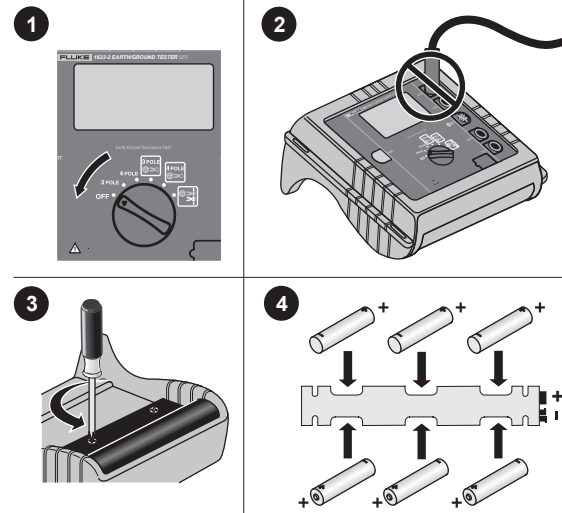
Quick Reference Guide

⚠ Warning

To prevent possible electrical shock, fire, or personal injury, read the "1623-2/1625-2 Safety Information" before you use this Product.

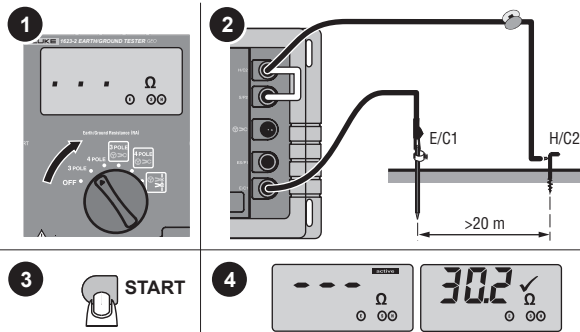
Go to www.fluke.com to register your product, download manuals, and find more information.

Batteries

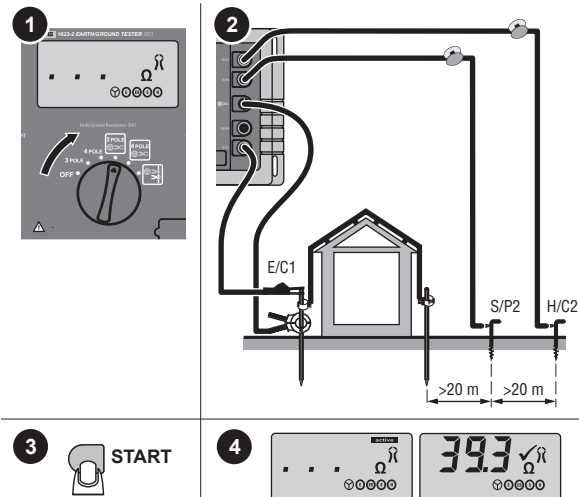


Measurement

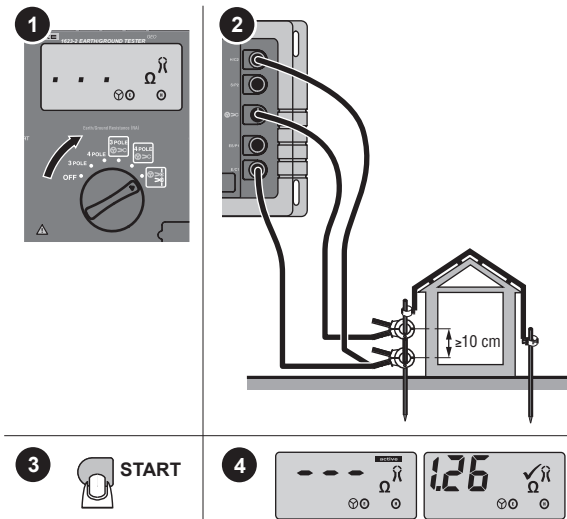
RA 2-Pole Measurement



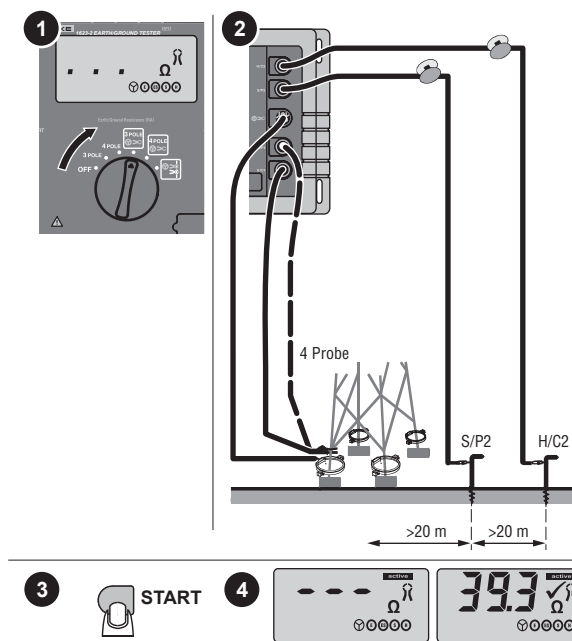
RA 3-Pole Selective Earth Resistance with Current Clamp



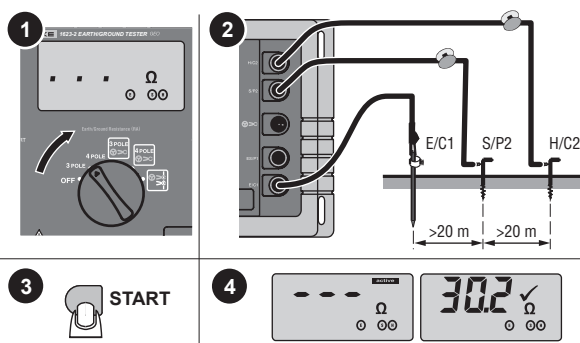
Stakeless Ground Loop Measurement



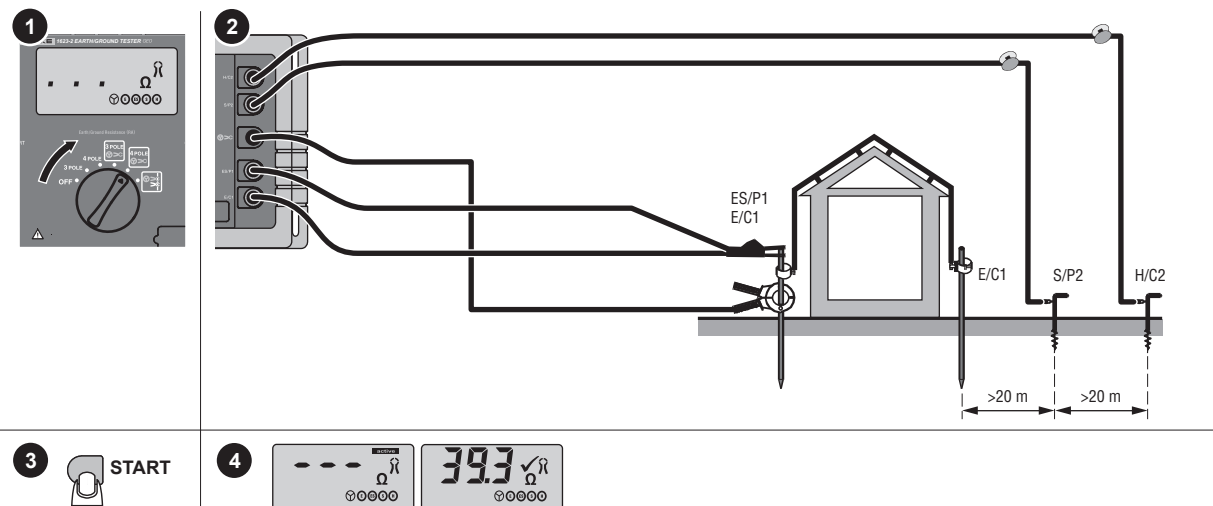
3-Pole/4-Pole Earthing Resistance without Disengaging the Overhead Earth Wire



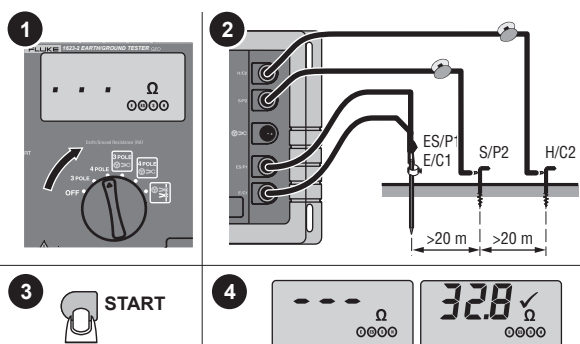
RA 3-Pole Measurement



RA 4-Pole Selective Earth Resistance with Current Clamp



RA 4-Pole Measurement



Soil Resistivity

