

FEM 1.02 DIAPHRAGM DOSING PUMP



FEM 1.02 KP27SM-2



FEM 1.02 KP55RC

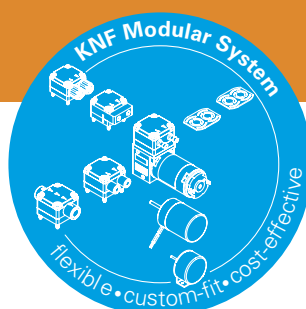
ADVANTAGES

- Excellent repeatability
- Constant results over a long period of time
- Large dosing range 1:100
- High chemical resistance
- Self priming
- Long life > 10'000 h
- Various control possibilities
- Available with integrated overpressure relief valve (version .27)
- .55RC version with integrated electronics for delivery of partial strokes and remote control

POSSIBLE AREAS OF USE

- Medical diagnostics
- Industrial dosing systems
- Fuel cells
- Semi conductor industry
- Water analysis

Please visit our website
www.knf.com
 to get more information.



PERFORMANCE DATA				
Series model	FEM 1.02 SM-2			FEM 1.02 .55RC
Material options	KP	KT	TT	
Pump head	PP	PP	PVDF	
Diaphragm	PTFE	PTFE	PTFE	
Valves	EPDM	FFKM	FFKM	
Flow rate (ml/min)	0.2 - 20			0.2 - 20
Nominal stroke volume (µl)	180			5 - 180
Accuracy (%)	+/- 10			+/- 2
Repeatability (%)	+/- 1			+/- 1
Suction height (mVg)	4			4
Pressure head (mVg)	60			60
Permissible ambient air (°C)	+5 to +40			+5 to +40
Permissible liquid temperature (°C)	+5 to +80			+5 to +80
Weight (g)	340			390
IP protection factor	40			40
ELECTRICAL DATA				
Perating voltage (V) ¹⁾	5.52			12 - 24
Power consumption (W)	15			19
I load max. (A)	0.6			0.5

¹⁾ Depends on type of controller

FEM 1.02 SM-2

PERFORMANCE DATA

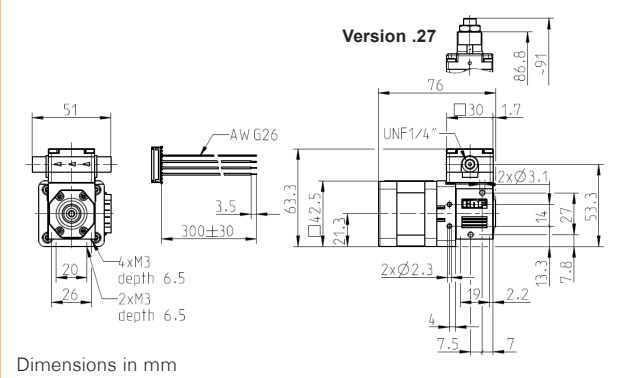
Series model	Flow rate at atm. pressure (ml/min)	Max. suction height (mWg)	Max. pressure head (mWg)
FEM 1.02 SM-2	0.2 - 20	4	60

FEM 1.02 .55RC

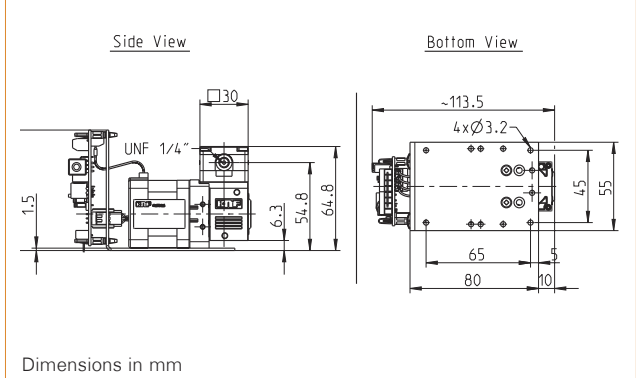
PERFORMANCE DATA

Series model	Stroke volume (µl)	Max. suction height (mWg)	Max. pressure head (mWg)
FEM 1.02 .55RC	5 - 180	4	60

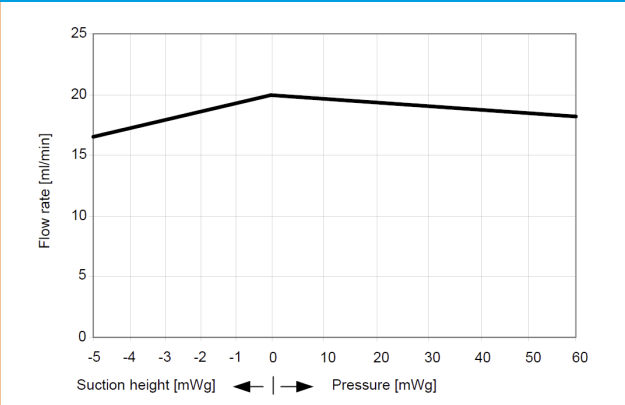
FEM 1.02 SM-2



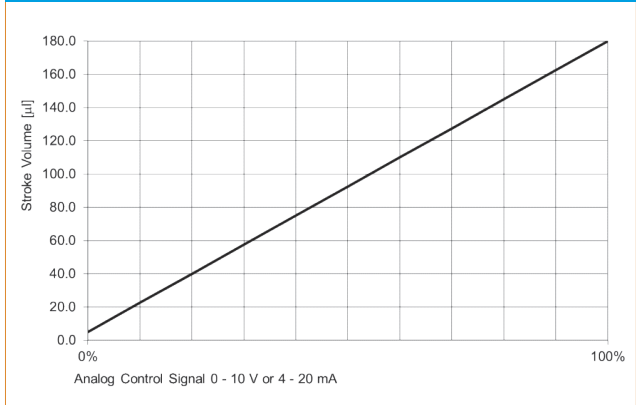
FEM 1.02 .55RC








FEM 1.02 SM-2 FLOW CURVE



FEM 1.02 .55RC STROKE VOLUME



OPTIONS		
Description	Illustration	Details
Diaphragm pressure control valve (Version .27)		The pressure control valve can be used for a more accurate control of flow against a fluctuating back pressure, metering into a vacuum and from a pressurised system.
Hall Sensor - position recognition of the diaphragm		A Hall Sensor can be integrated into the pump so that it is possible to monitor the position of the diaphragm. This allows the pump to be controlled in different ways.
Different hydraulic connection types		Compression fittings, John Guest etc.

ACCESSORIES		
Description	Illustration	Details
Control module		Especially in the development phase it is useful to try different options out without investing a lot of time programming. Due to this reason we offer a flexible controller which can be adapted for many different applications.
Filter		KNF filters protect both pumps and other upstream instrumentation and hydraulic circuits against particulate, crystals and fibres which can improve optimum operation.

The performance values for the series models shown on this data sheet were determined under test conditions. The actual performance values may differ and depend in particular on the usage conditions and therefore on the specific application, on the parameters of the components involved in the user's system and on any technical modifications carried out which deviate from the standard configuration or the as delivered condition.

If individual designs have been created for specific customers on the basis of series models, other technical performance data may apply. Before operation begins, the relevant operating instructions and/or assembly or installation instructions should be read and the safety information contained in these instructions should be noted. KNF reserves the right to make changes to the product and the associated documentation without prior notice to the customer.



www.knf.com

YOUR LOCAL PARTNER AROUND THE WORLD

KNF SALES ORGANIZATION

Australia KNF Regional Office
Moreland West VIC 3055
Tel. +61 3 9386 4959
info@knf.com.au
www.knf.com.au

Benelux Netherlands KNF Verder B.V.
3451 GG Vleuten
Tel. +31 30 677 92 40
info@knf-verder.nl
www.knf-verder.nl

Benelux Belgium and Luxemburg
KNF Verder N.V.
2630 Aartselaar
Tel. +32 3 871 96 24
info@knf.be
www.knf.be

China KNF Technology (Shanghai) Co., Ltd.
Shanghai 201203
Tel. +86 21 5109 9695
info@knf.com.cn
www.knf.com.cn

France KNF Neuberger SAS
68128 Village-Neuf
Tel. +33 389 70 35 00
info@knf.fr
www.knf.fr

Germany KNF Neuberger GmbH
79112 Freiburg
Tel. +49 7664 5909 0
info@knf.de
www.knf.de

India KNF Pumps + Systems (India) Pvt. Ltd.
Hinjewadi Pune 411 057
Tel. +91 20 640 13 923
info@knfpumps.in
www.knfpumps.in

Italy KNF Italia S.r.l.
20063 Cernusco s. Naviglio (MI)
Tel. +39 02 929 04 91
info@knf.it
www.knf.it

Japan KNF Japan Co. Ltd.
Tokyo 104-0033
Tel. +81 3 3551 7931
info@knf.co.jp
www.knf.co.jp

Korea KNF Neuberger Ltd.
135-502 Seoul
Tel. +82 2 959 0255
knf@knfkorea.com
www.knfkorea.com

Latin America KNF Regional Office
Tel. +1 609 649 1010
gb@knf.com
www.knf.com/es

Morocco, Tunisia, Algeria
KNF Neuberger SAS
68128 Village-Neuf
Tel. +33 389 70 35 00
info@knf.fr
www.knf.fr

Singapore KNF Regional Office
Tel. +65 9722 1994
info@knf.com.sg
www.knf.com.sg

Sweden, Finland, Denmark, Norway
KNF Neuberger AB
117 43 Stockholm
Tel. +46 8 744 51 13
info@knf.se
www.knf.se

Switzerland KNF Neuberger AG
8362 Balzerswil
Tel. +41 71 973 99 30
knf@knf.ch
www.knf.ch

UK, Ireland KNF Neuberger U.K., Ltd.
Witney, Oxfordshire OX28 4FA
Tel. +44 1993 77 83 73
info@knf.co.uk
www.knf.co.uk

USA, Canada KNF Neuberger, Inc.
Trenton, NJ 08691-1810
Tel. +1 609 890 8600
knfusa@knf.com
www.knfusa.com

KNF PRODUCT CENTERS

Gas Pumps KNF Neuberger GmbH
DE-79112 Freiburg
info@knf.de
www.knf.de

Micro Gas Pumps KNF Micro AG
CH-6260 Reiden
info@knf-micro.ch
www.knf-micro.ch

Liquid Pumps KNF Flodos AG
CH-6210 Sursee
info@knf-flodos.ch
www.knf-flodos.ch