

NMP850 SERIES MICRO DIAPHRAGM GAS PUMPS



NMP850KPDC



NMP850KPDC-B



NMP850.1.2KPDC-B

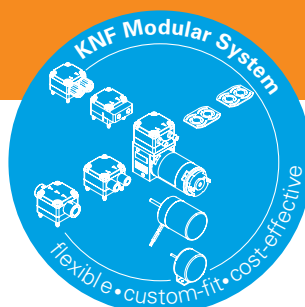
ADVANTAGES

- Customizing available
- Tested to customers specs
- High performance to size, efficiency and weight ratio
- Excellent reliability/durability
- Speed controllable
- Low sound level
- Long service life
- Uncontaminated transfer
- Maintenance-free
- High chemical resistance
- Can be installed in any position

POSSIBLE AREAS OF USE

- Medical devices
- Analytical equipment
- Emission measurement
- Reprographic
- Degassing
- Safety/Security
- Portable devices

Please visit our website
www.knf.com
to get more information.



PERFORMANCE DATA

Series Model	NMP850								NMP850.1.2			
	KPDC		KTDC		KPDC-B		KTDC-B		KPDC-B		KTDC-B	
Pump head	PPS											
Diaphragm	EPDM		PTFE coated		EPDM		PTFE coated		EPDM		PTFE coated	
Valves	EPDM		FFKM		EPDM		FFKM		EPDM		FFKM	
Flow rate at atm. pressure (l/min)	4.5	4.5	3.9	3.9	4.2	4.2	3.5	3.5	8	8	6	6
Ultimate vacuum (mbar abs.)	230	230	300	300	230	230	300	300	250	250	300	300
Ultimate pressure (bar rel)	2.3	2.3	2.1	2.1	2.5	2.5	2.3	2.3	2.3	2.3	2.4	2.4
Permissible media and ambient temperature (° C / ° F)	+5° C to +40° C / 41° F to 104° F (-20° C to +60° C / -4° F to 140° F on request)											
Weight (g/oz)	208/7.33		208/7.33		354/12.49		354/12.49		412/14.53		412/14.53	

ELECTRICAL DATA

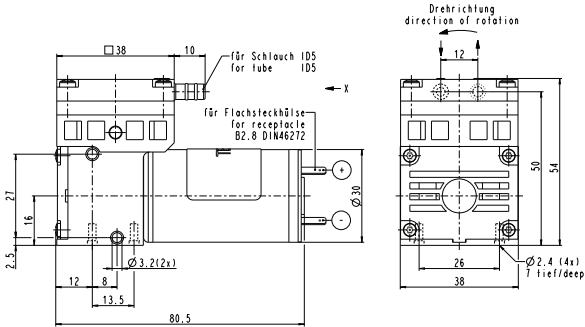
Voltage (V)	12	24	12	24	12	24	12	24	12	24	12	24
Motor	DC				Brushless DC				Brushless DC			
I _{max} (A)	0.65	0.4	0.65	0.4	0.7	0.35	0.7	0.35	0.97	0.49	0.97	0.49

NMP850KPCD

PERFORMANCE DATA

Series model	Flow rate at atm. pressure (l/min)	Max. operating pressure (bar rel)	Ultimate vacuum (mbar abs.)
NMP850KPCD 12V	4.5	2.3	230
NMP850KPCD 24V	4.5	2.3	230

NMP850KPCD



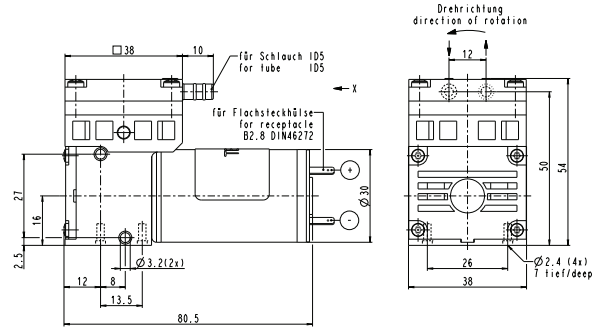
Dimensions in mm

NMP850KTDC

PERFORMANCE DATA

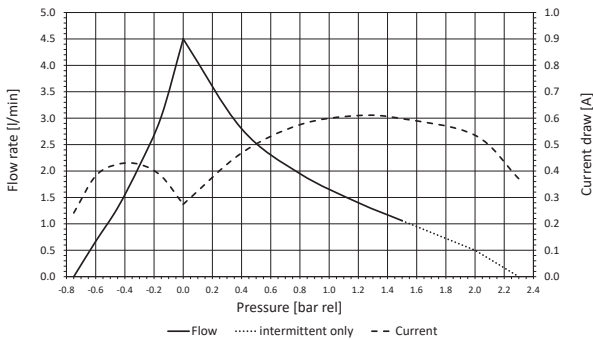
Series model	Flow rate at atm. pressure (l/min)	Max. operating pressure (bar rel)	Ultimate vacuum (mbar abs.)
NMP850KTDC 12V	3.9	2.1	300
NMP850KTDC 24V	3.9	2.1	300

NMP850KTDC

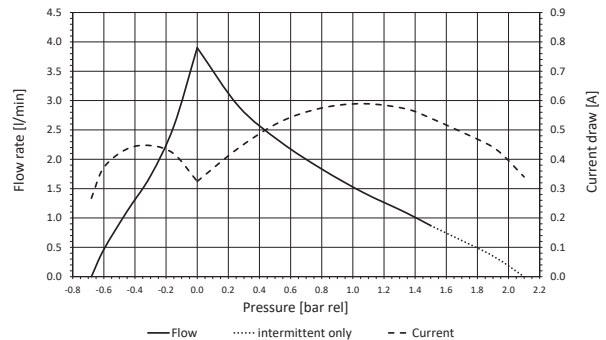


Dimensions in mm

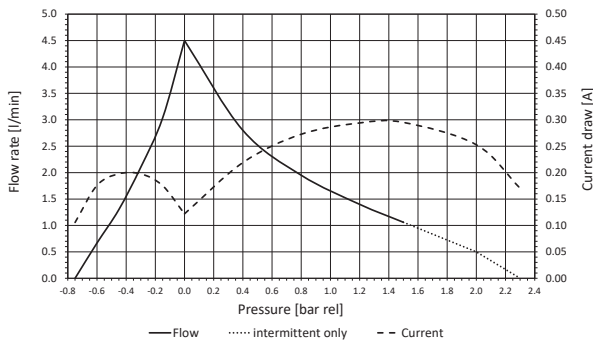
NMP850KPCD 12V FLOW CURVE



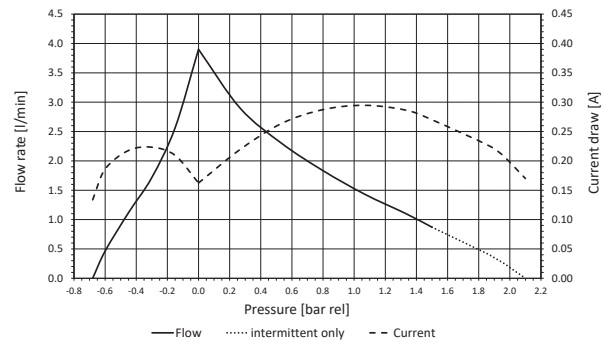
NMP850KTDC 12V FLOW CURVE



NMP850KPCD 24V FLOW CURVE



NMP850KTDC 24V FLOW CURVE

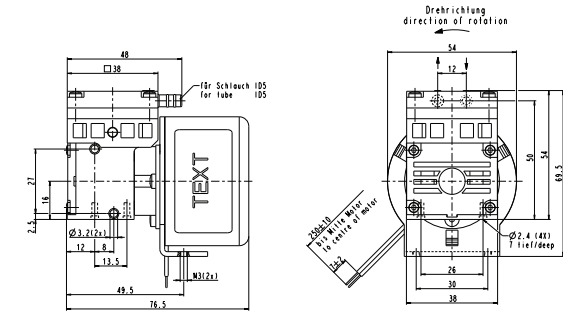


NMP850KPCD-B

PERFORMANCE DATA

Series model	Flow rate at atm. pressure (l/min)	Max. operating pressure (bar rel)	Ultimate vacuum (mbar abs.)
NMP850KPCD-B 12V	4.2	2.5	230
NMP850KPCD-B 24V	4.2	2.5	230

NMP850KPCD-B



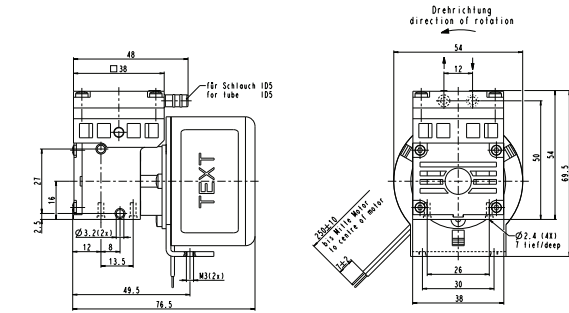
Dimensions in mm

NMP850KTDC-B

PERFORMANCE DATA

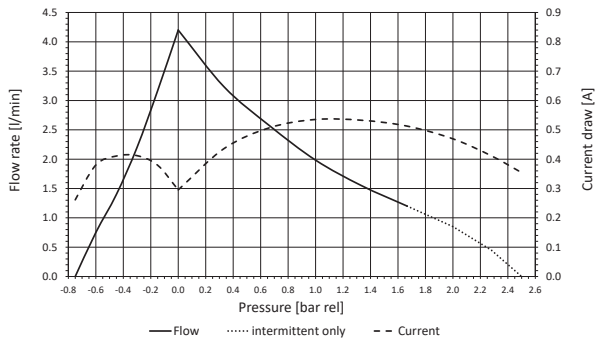
Series model	Flow rate at atm. pressure (l/min)	Max. operating pressure (bar rel)	Ultimate vacuum (mbar abs.)
NMP850KTDC-B 12V	3.5	2.3	300
NMP850KTDC-B 24V	3.5	2.3	300

NMP850KTDC

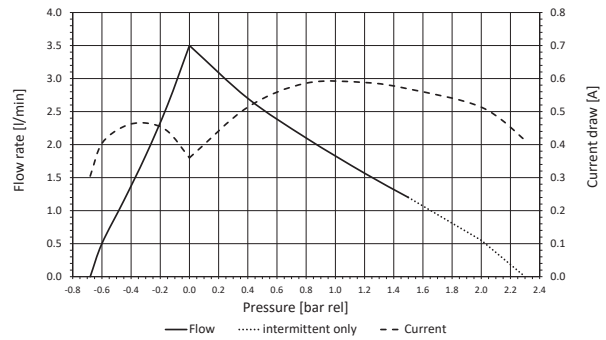


Dimensions in mm

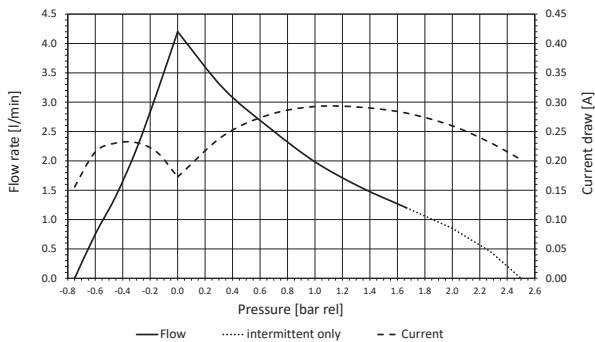
NMP850KPCD-B 12V FLOW CURVE



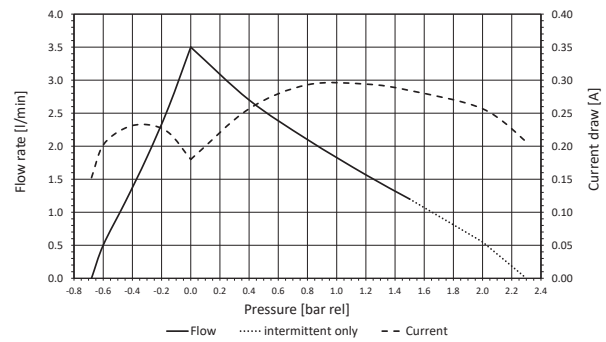
NMP850KTDC-B 12V FLOW CURVE



NMP850KPCD-B 24V FLOW CURVE



NMP850KTDC-B 24V FLOW CURVE

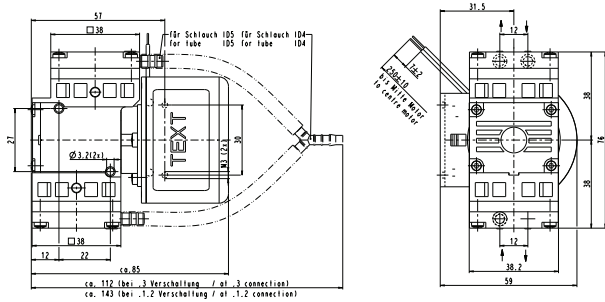


NMP850.1.2KPDC-B

PERFORMANCE DATA

Series model	Flow rate at atm. pressure (l/min)	Max. operating pressure (bar rel)	Ultimate vacuum (mbar abs.)
NMP850.1.2KPDC-B 12V	8	2.3	250
NMP850.1.2KPDC-B 24V	8	2.3	250

NMP850.1.2KPDC-B



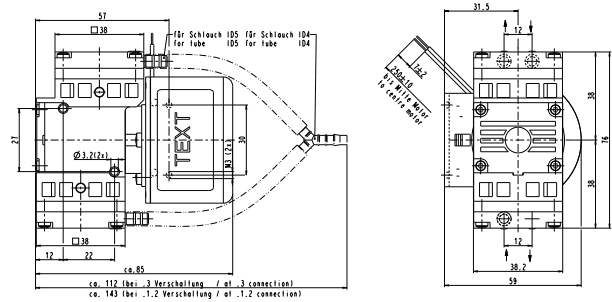
Dimensions in mm

NMP850.1.2KTDC-B

PERFORMANCE DATA

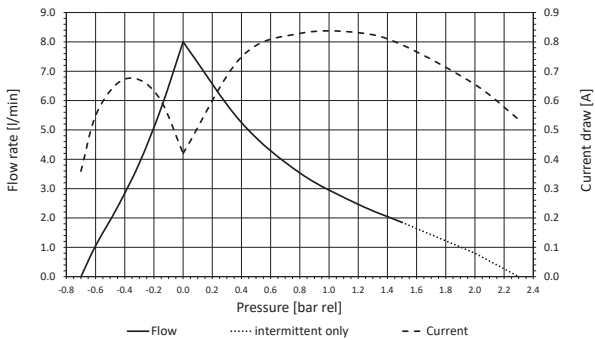
Series model	Flow rate at atm. pressure (l/min)	Max. operating pressure (bar rel)	Ultimate vacuum (mbar abs.)
NMP850.1.2KTDC-B 12V	6	2.4	300
NMP850.1.2KTDC-B 24V	6	2.4	300

NMP850.1.2KTDC-B

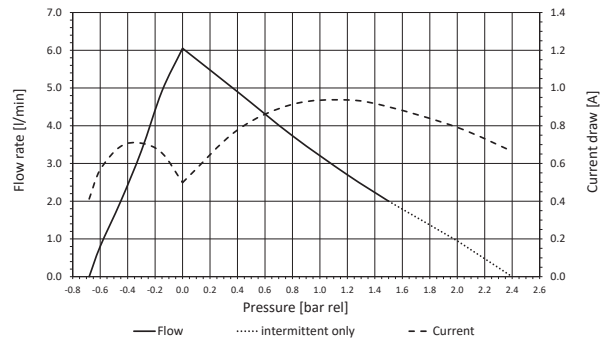


Dimensions in mm

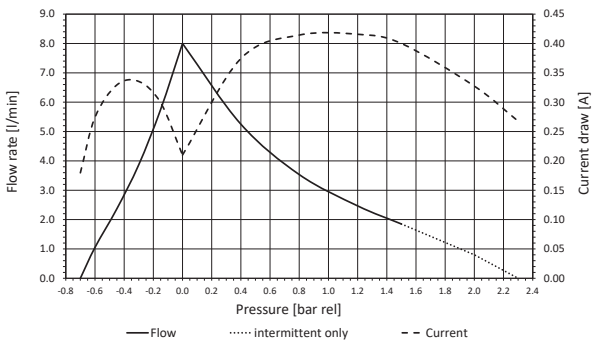
NMP850.1.2KPDC-B 12V FLOW CURVE



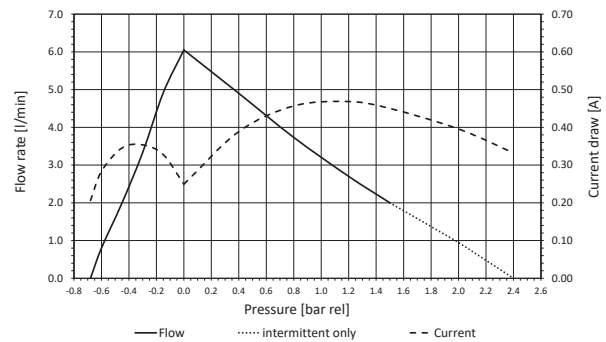
NMP850.1.2KTDC-B 12V FLOW CURVE





NMP850.1.2KPDC-B 24V FLOW CURVE



NMP850.1.2KTDC-B 24V FLOW CURVE



OPTIONS			
Description	Illustration	Part No.	Details
Motors			Other motor options are available. Ask your KNF sales contact to find the best solution for you.
Eccentric			Other eccentricities are available to meet your operating point best.

ACCESSORIES			
Description	Illustration	Part No.	Details
Silencer		On request	For hose barbs
Rubber-bonded metal		On request	

The performance values for the series models shown on this data sheet were determined under test conditions. The actual performance values may differ and depend in particular on the usage conditions and therefore on the specific application, on the parameters of the components involved in the user's system and on any technical modifications carried out which deviate from the standard configuration or the as delivered condition.

If individual designs have been created for specific customers on the basis of series models, other technical performance data may apply. Before operation begins, the relevant operating instructions and/or assembly or installation instructions should be read and the safety information contained in these instructions should be noted. KNF reserves the right to make changes to the product and the associated documentation without prior notice to the customer.



www.knf.com

YOUR LOCAL PARTNER AROUND THE WORLD

KNF SALES ORGANIZATION

Australia KNF Regional Office
Moreland West VIC 3055
Tel. +61 3 9386 4959
info@knf.com.au
www.knf.com.au

Benelux Netherlands KNF Verder B.V.
3451 GG Vleuten
Tel. +31 30 677 92 40
info@knf-verder.nl
www.knf-verder.nl

Benelux Belgium and Luxemburg
KNF Verder N.V.
2630 Aartselaar
Tel. +32 3 871 96 24
info@knf.be
www.knf.be

China KNF Technology (Shanghai) Co., Ltd.
Shanghai 201203
Tel. +86 21 5109 9695
info@knf.com.cn
www.knf.com.cn

France KNF Neuberger SAS
68128 Village-Neuf
Tel. +33 389 70 35 00
info@knf.fr
www.knf.fr

Germany KNF Neuberger GmbH
79112 Freiburg
Tel. +49 7664 5909 0
info@knf.de
www.knf.de

India KNF Pumps + Systems (India) Pvt. Ltd.
Hinjewadi Pune 411 057
Tel. +91 20 640 13 923
info@knfpumps.in
www.knfpumps.in

Italy KNF Italia S.r.l.
20063 Cernusco s. Naviglio (MI)
Tel. +39 02 929 04 91
info@knf.it
www.knf.it

Japan KNF Japan Co. Ltd.
Tokyo 104-0033
Tel. +81 3 3551 7931
info@knf.co.jp
www.knf.co.jp

Korea KNF Neuberger Ltd.
135-502 Seoul
Tel. +82 2 959 0255
knf@knfkorea.com
www.knfkorea.com

Latin America KNF Regional Office
Tel. +1 609 649 1010
gb@knf.com
www.knf.com/es

Morocco, Tunisia, Algeria
KNF Neuberger SAS
68128 Village-Neuf
Tel. +33 389 70 35 00
info@knf.fr
www.knf.fr

Singapore KNF Regional Office
Tel. +65 9722 1994
info@knf.com.sg
www.knf.com.sg

Sweden, Finland, Denmark, Norway
KNF Neuberger AB
117 43 Stockholm
Tel. +46 8 744 51 13
info@knf.se
www.knf.se

Switzerland KNF Neuberger AG
8362 Balzerswil
Tel. +41 71 973 99 30
knf@knf.ch
www.knf.ch

UK, Ireland KNF Neuberger U.K., Ltd.
Witney, Oxfordshire OX28 4FA
Tel. +44 1993 77 83 73
info@knf.co.uk
www.knf.co.uk

USA, Canada KNF Neuberger, Inc.
Trenton, NJ 08691-1810
Tel. +1 609 890 8600
knfusa@knf.com
www.knfusa.com

KNF PRODUCT CENTERS

Gas Pumps KNF Neuberger GmbH
DE-79112 Freiburg
info@knf.de
www.knf.de

Micro Gas Pumps KNF Micro AG
CH-6260 Reiden
info@knf-micro.ch
www.knf-micro.ch

Liquid Pumps KNF Flodos AG
CH-6210 Sursee
info@knf-flodos.ch
www.knf-flodos.ch