

N 940.5 SERIES VACUUM PUMPS



N 940.5 APE – AC version with IP 54 motor



N 940.5 APE-W – automatically adjusts to voltage conditions, can be used worldwide (optional potentiometer or port for external control)



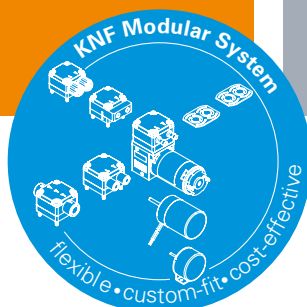
N 940.5 TTE – chemically resistant with IP 54 motor

ADVANTAGES

- Quiet running
- High level of performance in a compact size
- Multi-voltage power supply input
- High-speed evacuation of the measurement chamber thanks to exceptional suction speed
- Stable vacuum in the transfer area to the turbomolecular pump
- High chemical resistance offered by N 940.5 TTE

POSSIBLE AREAS OF USE

- Instrumental analysis – especially in the field of spectroscopy
- Can be used as roughing pump for turbomolecular pumps
- Diagnostics – disposal of sample waste



Please visit our website
www.knf.com
to get more information

PERFORMANCE DATA

Series model	N 940.5		
Material design	APE	APE-W	TTE
Pump head	Aluminum		PTFE/PVDF
Diaphragm	EPDM		PTFE
Valves	EPDM		FFPM
Flow rate at atm. pressure (l/min)	50.0		48.0
Ultimate vacuum (mbar abs.)	< 1.5		2
Max. operating pressure (bar rel./psig)	0.5/7.3		
Permissible ambient temperature (°C)	+10 ... +40		
Permissible media temperature (°C)	+5 ... +40		
Weight (kg/lbs)	18.9/41.6	16.8/37.0	18.6/40.9

ELECTRICAL DATA

Voltage (V)	230	100–240	230
Motor	Capacitor motor	Brushless DC motor with AC power supply	Capacitor motor
Protection class motor	IP 54	IP 20	IP 54
Frequencies (Hz)	50	50/60	50
Power P ₁ (W)	250	250	250
I _{max} (A)	1.70	2.80	1.70

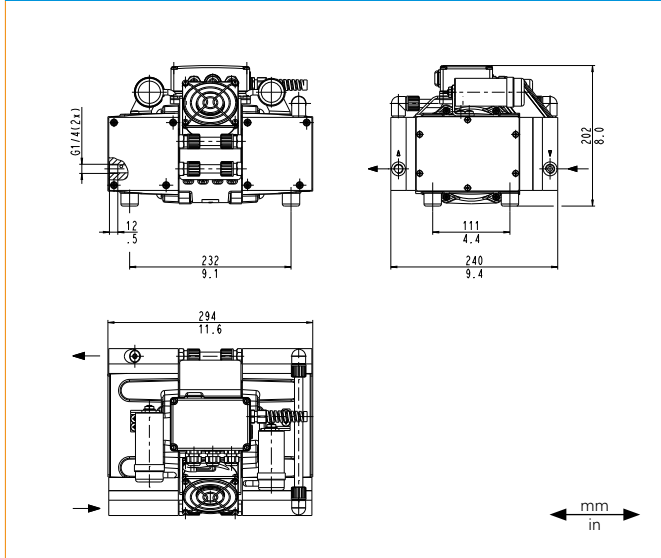
N 940.5 APE

PERFORMANCE DATA

Series model	Flow rate at atm. pressure (l/min) ¹⁾	Max. operating pressure (bar rel./psig)	Ultimate vacuum (mbar abs.)
N 940.5 APE	50.0	0.5/7.3	< 1.5

¹⁾ Liter at STP

N 940.5 APE



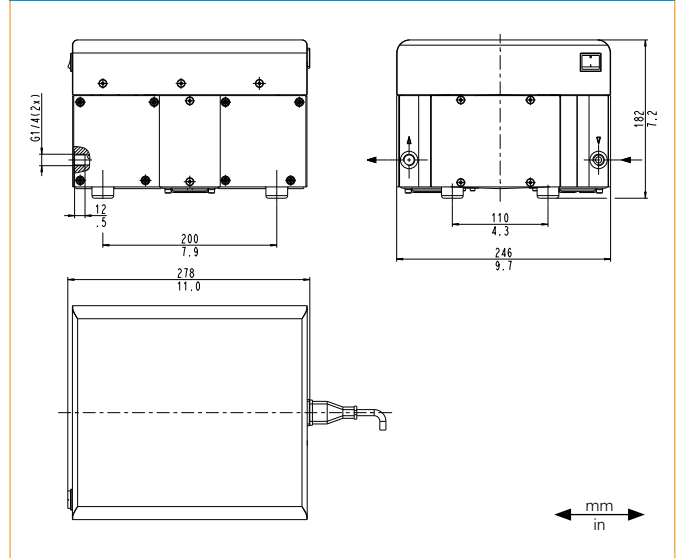
N 940.5 APE-W

PERFORMANCE DATA

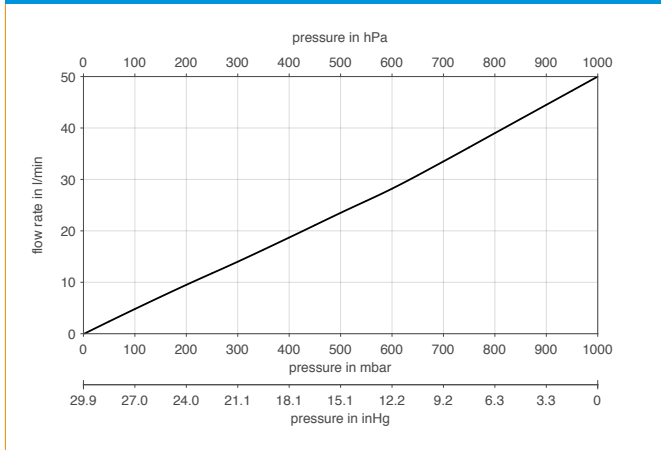
Series model	Flow rate at atm. pressure (l/min) ¹⁾	Max. operating pressure (bar rel./psig)	Ultimate vacuum (mbar abs.)
N 940.5 APE-W	50.0	0.5/7.3	< 1.5

¹⁾ Liter at STP

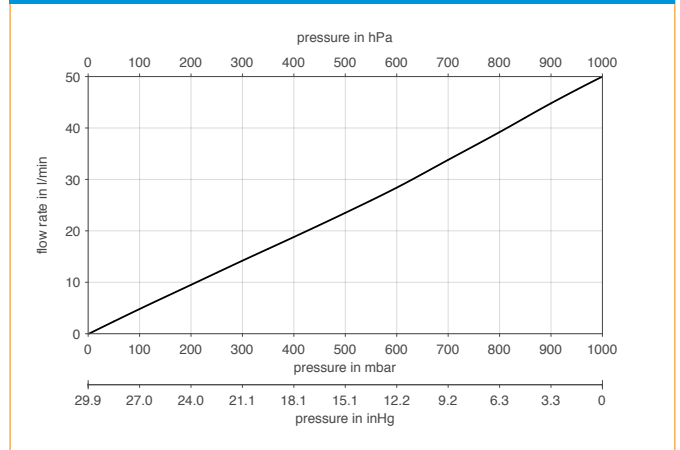
N 940.5 APE-W



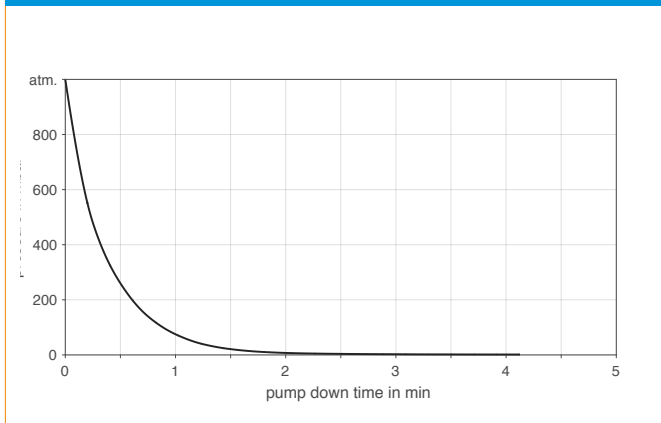
N 940.5 APE



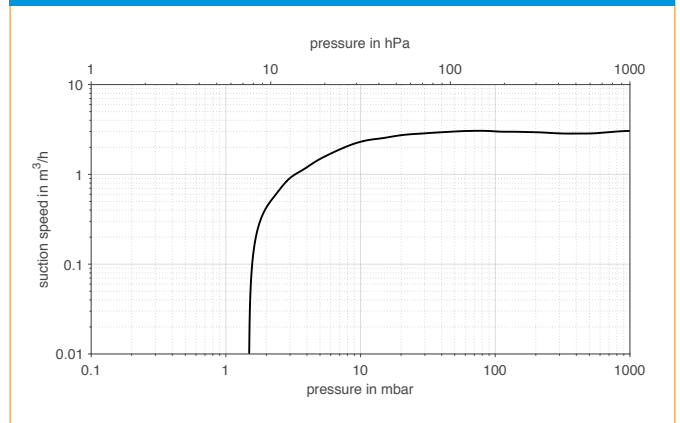
N 940.5 APE-W



N 940.5 APE | APE-W | PUMP DOWN TIME FOR 20 LITER VESSEL



N 940.5 APE | APE-W | SUCTION PUMPING SPEED



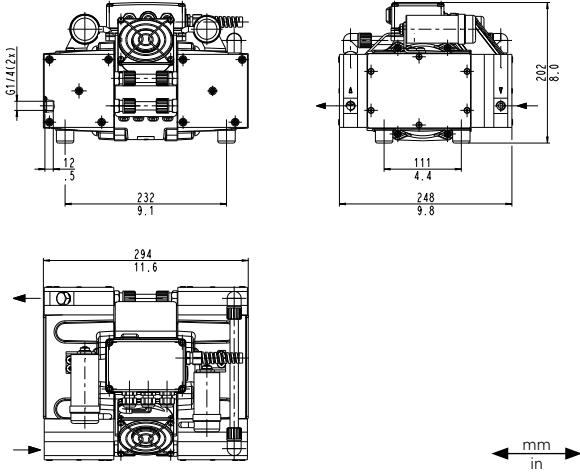
N 940.5 TTE

PERFORMANCE DATA

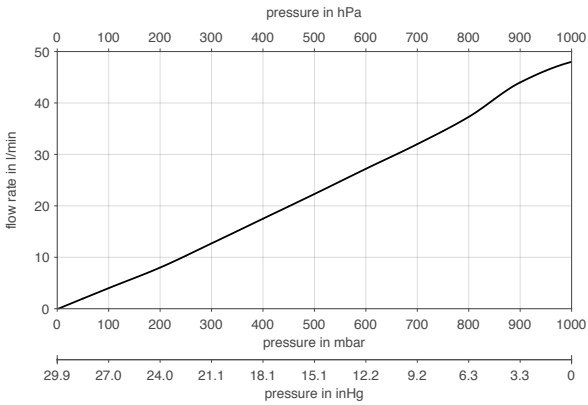
Series model	Flow rate at atm. pressure (l/min) ¹⁾	Max. operating pressure (bar rel./psig)	Ultimate vacuum (mbar abs.)
N 940.5 TTE	48.0	0.5/7.3	2

¹⁾ Liter at STP

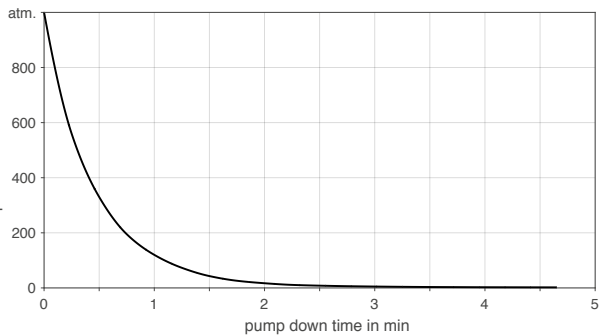
N 940.5 TTE



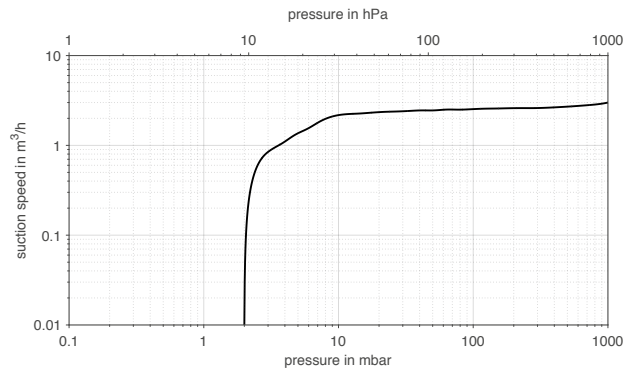
N 940.5 TTE



N 940.5 TTE | PUMP DOWN TIME FOR 20 LITER VESSEL



N 940.5 TTE | SUCTION PUMPING SPEED



ACCESSORIES

Description	Part No.	Details
Silencer	045993	G 3/8
Adapter for silencer	014757	G 3/8 to G 1/4
Small flange, stainless steel	048116	G 1/4, KF DN 16
Hose connector, Ms (only for N 940.5 APE/APE-W)	049880	G 1/4, for hose ID 13
Hose connector, PP	045293	G 1/4, for hose ID 10
Sealing for hose connector, Ms (only for N 940.5 APE/APE-W)	029112	
Adjustable delivery by speed regulation for N 940.5 APE-W	on demand	with potentiometer or analog signal input

SPARE PARTS

Description	Part No.	Details
N 940.5 APE N 940.5 APE-W		
Diaphragm	112089	
Valve plate	112130	
O-ring	112122	Ø 32 mm
O-ring	112121	Ø 26 mm
O-ring	112123	Ø 5.5 mm
N 940.5 TTE		
Diaphragm (with marking)	116787	
Diaphragm (without marking)	117534	
Valve plate	118007	
O-ring	116407	Ø 32 mm
O-ring	002454	Ø 24 mm
O-ring	059725	Ø 5.5 mm

The performance values for the series models shown on this data sheet were determined under test conditions. The actual performance values may differ and depend in particular on the usage conditions and therefore on the specific application, on the parameters of the components involved in the user's system and on any technical modifications carried out which deviate from the standard configuration or the as delivered condition.

If individual designs have been created for specific customers on the basis of series models, other technical performance data may apply.

Before operation begins, the relevant operating instructions and/or assembly or installation instructions should be read and the safety information contained in these instructions should be noted.

KNF reserves the right to make changes to the product and the associated documentation without prior notice to the customer.



www.knf.com

YOUR LOCAL PARTNER AROUND THE WORLD

KNF SALES ORGANIZATION

Australia KNF Regional Office
Moreland West VIC 3055
Tel. +61 3 9386 4959
info@knf.com.au
www.knf.com.au

Benelux Netherlands KNF Verder B.V.
3451 GG Vleuten
Tel. +31 30 677 92 40
info@knf-verder.nl
www.knf-verder.nl

Benelux Belgium and Luxemburg
KNF Verder N.V.
2630 Aartselaar
Tel. +32 3 871 96 24
info@knf.be
www.knf.be

China KNF Technology (Shanghai) Co., Ltd.
Shanghai 201203
Tel. +86 21 5109 9695
info@knf.com.cn
www.knf.com.cn

France KNF Neuberger SAS
68128 Village-Neuf
Tel. +33 389 70 35 00
info@knf.fr
www.knf.fr

Germany KNF Neuberger GmbH
79112 Freiburg
Tel. +49 7664 5909 0
info@knf.de
www.knf.de

India KNF Pumps + Systems (India) Pvt. Ltd.
Hinjewadi Pune 411 057
Tel. +91 20 640 13 923
info@knfpumps.in
www.knfpumps.in

Italy KNF Italia S.r.l.
20063 Cernusco s. Naviglio (MI)
Tel. +39 02 929 04 91
info@knf.it
www.knf.it

Japan KNF Japan Co. Ltd.
Tokyo 104-0033
Tel. +81 3 3551 7931
info@knf.co.jp
www.knf.co.jp

Korea KNF Neuberger Ltd.
135-502 Seoul
Tel. +82 2 959 0255
knf@knfkorea.com
www.knfkorea.com

Latin America KNF Regional Office
Tel. +1 609 649 1010
gb@knf.com
www.knf.com/es

Morocco, Tunisia, Algeria
KNF Neuberger SAS
68128 Village-Neuf
Tel. +33 389 70 35 00
info@knf.fr
www.knf.fr

Singapore KNF Regional Office
Tel. +65 9722 1994
info@knf.com.sg
www.knf.com.sg

Sweden, Finland, Denmark, Norway
KNF Neuberger AB
117 43 Stockholm
Tel. +46 8 744 51 13
info@knf.se
www.knf.se

Switzerland KNF Neuberger AG
8362 Balzerswil
Tel. +41 71 973 99 30
knf@knf.ch
www.knf.ch

UK, Ireland KNF Neuberger U.K., Ltd.
Witney, Oxfordshire OX28 4FA
Tel. +44 1993 77 83 73
info@knf.co.uk
www.knf.co.uk

USA, Canada KNF Neuberger, Inc.
Trenton, NJ 08691-1810
Tel. +1 609 890 8600
knfusa@knf.com
www.knfusa.com

KNF PRODUCT CENTERS

Gas Pumps KNF Neuberger GmbH
DE-79112 Freiburg
info@knf.de
www.knf.de

Micro Gas Pumps KNF Micro AG
CH-6260 Reiden
info@knf-micro.ch
www.knf-micro.ch

Liquid Pumps KNF Flodos AG
CH-6210 Sursee
info@knf-flodos.ch
www.knf-flodos.ch