

# FMM 80

## DIAPHRAGM LIQUID PUMP WITH LINEAR DRIVE



FMM 80 KPDC-P



FMM 80 TTDC-P

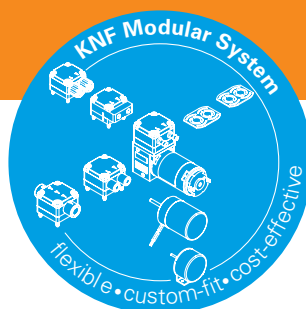
### ADVANTAGES

- Long service life
- Adjustable dispense volume 30-80  $\mu$ l
- Large flow range
- Flow tight in both directions
- Pressure stable
- High chemical resistance
- Self priming
- Quiet running
- Maintenance-free

### POSSIBLE AREAS OF USE

- Medical diagnostics
- Industrial dosing systems
- Inkjet printing
- Fuel cells
- Semi conductor industry
- Water analysis

Please visit our website  
[www.knf.com](http://www.knf.com)  
 to get more information.



### PERFORMANCE DATA

Series model	FMM 80DC-P	
Material options	KP	TT
Pump head	PP	PVDF
Diaphragm	EPDM	PTFE
Valves	EPDM	FFKM
Nominal stroke volume ( $\mu$ l)	80	
Stroke volume calibration range ( $\mu$ l)	30-80	
Flow rate at 10 Hz (ml/min)	48	
Suction height (mWg)	4	
Pressure head (mWg)	10	
Permissible ambient air ( $^{\circ}$ C)	+5 to +40	
Permissible liquid temperature ( $^{\circ}$ C)	+5 to +80	
Weight (g)	210	
IP protection factor	54	

### ELECTRICAL DATA

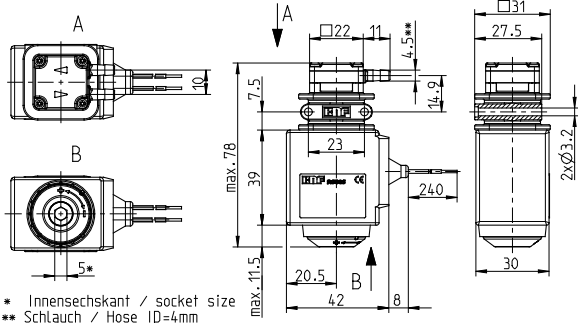
Operating voltage (V)	12	24
Max. permissible frequency (Hz)	10	
I load max. (A)	2	1
Mean current consumption at 10 Hz (A)	0.42	0.21
Power consumption at 10 Hz (W)	5	

# FMM 80 DC-P

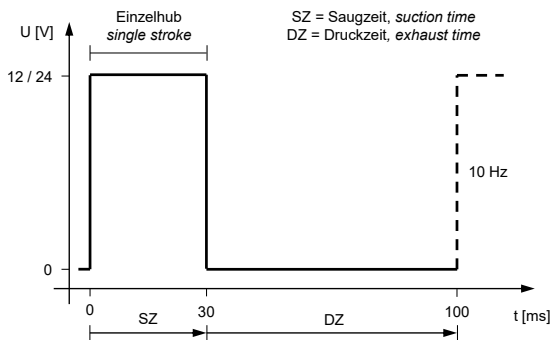
## PERFORMANCE DATA

Series model	Nominal stroke volume (µl)	Flow rate at 10 Hz (ml/min)	Suction height (mWS)	Pressure head (mWS)
FMM 80 DC-P	80	48	4	10




## FMM 80 DC-P



## CONTROL SIGNAL (IMPULSE)



OPTIONS		
Description	Illustration	Details
Hydraulic connections		Sideports, compression fittings, internal thread etc.

ACCESSORIES		
Description	Illustration	Details
Diaphragm pressure control valve		The pressure control valve can be used for a more accurate control of flow against a fluctuating back pressure, metering into a vacuum and from a pressurised system.
Pulsation damper		This very versatile pulsation damper reduces the vibration in hoses and pipes and it helps to remove pulsation which is preventing the system from functioning correctly.
Filter		KNF filters protect both pumps and other upstream instrumentation and hydraulic circuits against particulate, crystals and fibres which can improve optimum operation.

The performance values for the series models shown on this data sheet were determined under test conditions. The actual performance values may differ and depend in particular on the usage conditions and therefore on the specific application, on the parameters of the components involved in the user's system and on any technical modifications carried out which deviate from the standard configuration or the as delivered condition.

If individual designs have been created for specific customers on the basis of series models, other technical performance data may apply. Before operation begins, the relevant operating instructions and/or assembly or installation instructions should be read and the safety information contained in these instructions should be noted. KNF reserves the right to make changes to the product and the associated documentation without prior notice to the customer.



[www.knf.com](http://www.knf.com)

# YOUR LOCAL PARTNER AROUND THE WORLD

## KNF SALES ORGANIZATION

**Australia** KNF Regional Office  
Moreland West VIC 3055  
Tel. +61 3 9386 4959  
info@knf.com.au  
www.knf.com.au

**Benelux Netherlands** KNF Verder B.V.  
3451 GG Vleuten  
Tel. +31 30 677 92 40  
info@knf-verder.nl  
www.knf-verder.nl

**Benelux Belgium and Luxemburg**  
KNF Verder N.V.  
2630 Aartselaar  
Tel. +32 3 871 96 24  
info@knf.be  
www.knf.be

**China** KNF Technology (Shanghai) Co., Ltd.  
Shanghai 201203  
Tel. +86 21 5109 9695  
info@knf.com.cn  
www.knf.com.cn

**France** KNF Neuberger SAS  
68128 Village-Neuf  
Tel. +33 389 70 35 00  
info@knf.fr  
www.knf.fr

**Germany** KNF Neuberger GmbH  
79112 Freiburg  
Tel. +49 7664 5909 0  
info@knf.de  
www.knf.de

**India** KNF Pumps + Systems (India) Pvt. Ltd.  
Hinjewadi Pune 411 057  
Tel. +91 20 640 13 923  
info@knfpumps.in  
www.knfpumps.in

**Italy** KNF Italia S.r.l.  
20063 Cernusco s. Naviglio (MI)  
Tel. +39 02 929 04 91  
info@knf.it  
www.knf.it

**Japan** KNF Japan Co. Ltd.  
Tokyo 104-0033  
Tel. +81 3 3551 7931  
info@knf.co.jp  
www.knf.co.jp

**Korea** KNF Neuberger Ltd.  
135-502 Seoul  
Tel. +82 2 959 0255  
knf@knfkorea.com  
www.knfkorea.com

**Latin America** KNF Regional Office  
Tel. +1 609 649 1010  
gb@knf.com  
www.knf.com/es

**Morocco, Tunisia, Algeria**  
KNF Neuberger SAS  
68128 Village-Neuf  
Tel. +33 389 70 35 00  
info@knf.fr  
www.knf.fr

**Singapore** KNF Regional Office  
Tel. +65 9722 1994  
info@knf.com.sg  
www.knf.com.sg

**Sweden, Finland, Denmark, Norway**  
KNF Neuberger AB  
117 43 Stockholm  
Tel. +46 8 744 51 13  
info@knf.se  
www.knf.se

**Switzerland** KNF Neuberger AG  
8362 Balzerswil  
Tel. +41 71 973 99 30  
knf@knf.ch  
www.knf.ch

**UK, Ireland** KNF Neuberger U.K., Ltd.  
Witney, Oxfordshire OX28 4FA  
Tel. +44 1993 77 83 73  
info@knf.co.uk  
www.knf.co.uk

**USA, Canada** KNF Neuberger, Inc.  
Trenton, NJ 08691-1810  
Tel. +1 609 890 8600  
knfusa@knf.com  
www.knfusa.com

## KNF PRODUCT CENTERS

**Gas Pumps** KNF Neuberger GmbH  
DE-79112 Freiburg  
info@knf.de  
www.knf.de

**Micro Gas Pumps** KNF Micro AG  
CH-6260 Reiden  
info@knf-micro.ch  
www.knf-micro.ch

**Liquid Pumps** KNF Flodos AG  
CH-6210 Sursee  
info@knf-flodos.ch  
www.knf-flodos.ch