

NF 1.10 DIAPHRAGM LIQUID PUMP



NF 1.10 RPDCB-4

ADVANTAGES

- Self priming and excellent for pressure
- Extreme chemical resistance
- Dry running, durable and maintenance free

POSSIBLE AREAS OF USE

- Analysers
- Laboratory
- Cleaning industry
- Printing

Please visit our website
www.knf.com
to get more information.



PERFORMANCE DATA

Series model	NF 1.10 DCB	NF 1.10 DCB-4
Material options	RP	RT
Pump head	PPS	PPS
Diaphragm	EPDM	PTFE
Valves	EPDM	FFKM
Resonating diaphragm	EPDM	FFKM
Flow rate at atm. pressure (ml/min)	140	120
Suction height (mH ₂ O)	3	2.5
Pressure head (mH ₂ O)	60	
Permissible ambient temperature (°C)	+5 to +40	
Permissible liquid temperature (°C)	+5 to +80	
Weight (g)	65	
IP protection factor	40	

ELECTRICAL DATA

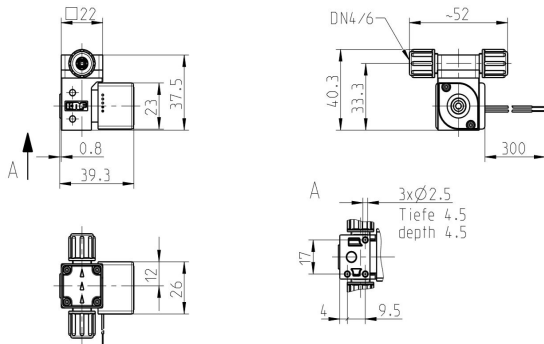
Operating voltage (V)	12/24	10-26.4
Power consumption (W)	3.1/3.6	3.2
I load max. (A)	0.26/0.15	0.23-0.12

NF 1.10 DCB

PERFORMANCE DATA

Series model	Flow rate at atm. pressure (ml/min)	Max. suction height (mH ₂ O)	Max. pressure head (mH ₂ O)
NF 1.10 DCB	140	3.0	60

NF 1.10 DCB



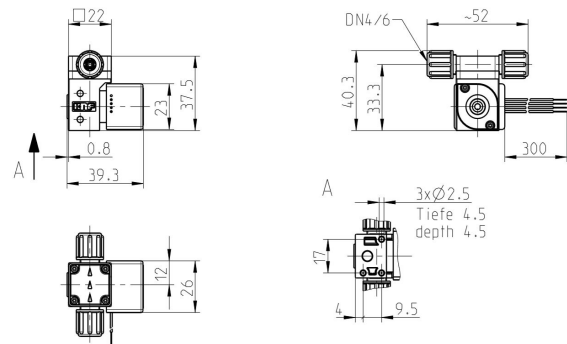
Dimensions in mm

NF 1.10 DCB-4

PERFORMANCE DATA

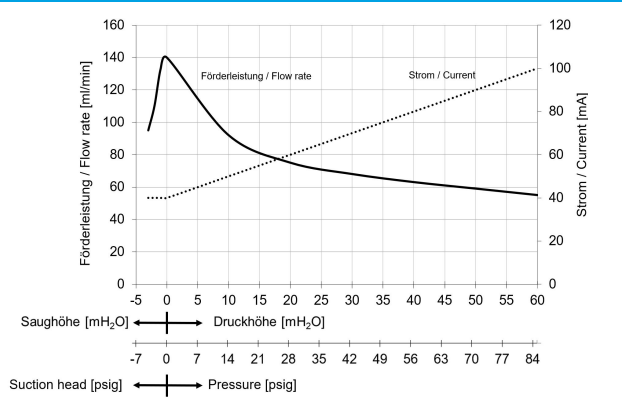
Series model	Flow rate at atm. pressure (ml/min)	Max. suction height (mH ₂ O)	Max. pressure head (mH ₂ O)
NF 1.10 DCB-4	120	2.5	60

NF 1.10 DCB-4

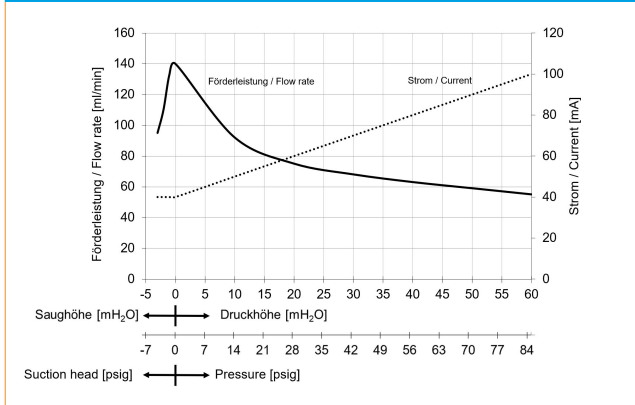


Dimensions in mm

NF 1.10 DCB FLOW CURVE



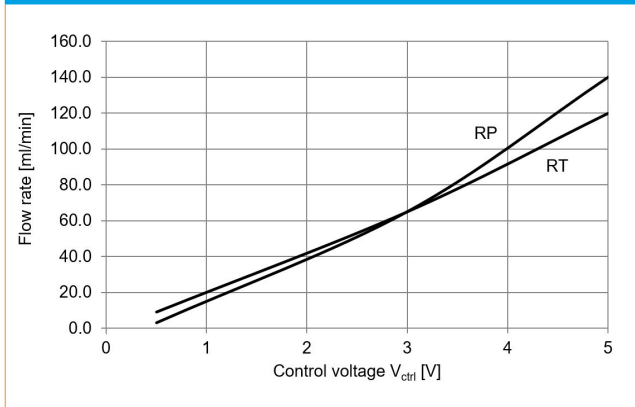
NF 1.10 DCB-4 FLOW CURVE



ELECTRIC SPECIFICATIONS



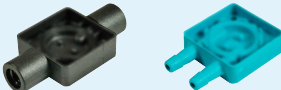
Wires	AWG 28
Wires assignment	red = +VS black = -VS/GND

NF 1.10 DCB-4 CONTROL CURVE







ELECTRIC SPECIFICATIONS

Wires	AWG 28
Wires assignment	red = +VS black = -VS/GND white = Vctrl-input green = FG-output
Input signal	0-5 V

OPTIONS			
Description	Illustration	Part No.	Details
Motors with special voltages or frequencies			
Electrical connectors			Specific customers requirements such as special connections (Molex, AMP, etc.)
Different hydraulic connection types and other head materials			

DIGITAL CUSTOMIZATION

Thanks to digital technology, this pump can be quickly adapted to the customer's system. This is done by parametrizing the firmware of the motor at KNF.

ACCESSORIES			
Description	Illustration	Part No.	Details
Fastening elements			
Diaphragm pressure control valve			The pressure control valve can be used for a more accurate control of flow against a fluctuating back pressure, metering into a vacuum and from a pressurised system.
Pulsation damper			This very versatile pulsation damper reduces the vibration in hoses and pipes and it helps to remove pulsation which is preventing the system from functioning correctly.
Filter			KNF filters protect both pumps and other upstream instrumentation and hydraulic circuits against particulate, crystals and fibres which can improve optimum operation.

The performance values for the series models shown on this data sheet were determined under test conditions. The actual performance values may differ and depend in particular on the usage conditions and therefore on the specific application, on the parameters of the components involved in the user's system and on any technical modifications carried out which deviate from the standard configuration or the as delivered condition.

If individual designs have been created for specific customers on the basis of series models, other technical performance data may apply. Before operation begins, the relevant operating instructions and/or assembly or installation instructions should be read and the safety information contained in these instructions should be noted. KNF reserves the right to make changes to the product and the associated documentation without prior notice to the customer.



www.knf.com

IHRE PARTNER VOR ORT

KNF VERTRIEBSORGANISATION

Australien KNF Regional Office

Moreland West VIC 3055
Tel. +61 3 9386 4959
info@knf.com.au
www.knf.com.au

Benelux, Niederlande KNF Verder B.V.

3451 GG Vleuten
Tel. +31 30 677 92 40
info@knf-verder.nl
www.knf-verder.nl

Benelux, Belgien und Luxemburg

KNF Verder N.V.
2630 Aartselaar
Tel. +32 3 871 96 24
info@knf.be
www.knf.be

China KNF Technology (Shanghai) Co., Ltd.

Shanghai 201203
Tel. +86 21 5109 9695
info@knf.com.cn
www.knf.com.cn

Deutschland KNF Neuberger GmbH

79112 Freiburg
Tel. +49 7664 5909 0
info@knf.de
www.knf.de

Frankreich KNF Neuberger SAS

68128 Village-Neuf
Tel. +33 389 70 35 00
info@knf.fr
www.knf.fr

Indien

KNF Pumps + Systems (India) Pvt. Ltd.
Hinjewadi Pune 411 057
Tel. +91 20 640 13 923
info@knfpumps.in
www.knfpumps.in

Italien KNF Italia S.r.l.

20063 Cernusco s. Naviglio (MI)
Tel. +39 02 929 04 91
info@knf.it
www.knf.it

Japan KNF Japan Co. Ltd.

Tokyo 104-0033
Tel. +81 3 3551 7931
info@knf.co.jp
www.knf.co.jp

Korea KNF Neuberger Ltd.

135-502 Seoul
Tel. +82 2 959 0255
knf@knfkorea.com
www.knfkorea.com

Lateinamerika KNF Regional Office

Tel. +1 609 649 1010
gb@knf.com
www.knf.com/es

Marokko, Tunesien, Algerien

KNF Neuberger SAS
68128 Village-Neuf
Tel. +33 389 70 35 00
info@knf.fr
www.knf.fr

Schweden, Finnland, Dänemark, Norwegen

KNF Neuberger AB
117 43 Stockholm
Tel. +46 8 744 51 13
info@knf.se
www.knf.se

Schweiz KNF Neuberger AG

8362 Balzerswil
Tel. +41 71 973 99 30
knf@knf.ch
www.knf.ch

Singapur KNF Regional Office

Tel. +65 9722 1994
info@knf.com.sg
www.knf.com.sg

UK, Irland KNF Neuberger U.K., Ltd.

Witney, Oxfordshire OX28 4FA
Tel. +44 1993 77 83 73
info@knf.co.uk
www.knf.co.uk

USA, Kanada KNF Neuberger, Inc.

Trenton, NJ 08691-1810
Tel. +1 609 890 8600
knfusa@knf.com
www.knfusa.com

KNF PRODUKTEZENTREN

Gaspumpen KNF Neuberger GmbH

DE-79112 Freiburg
info@knf.de
www.knf.de

Mikro-Gaspumpen KNF Micro AG

CH-6260 Reiden
info@knf-micro.ch
www.knf-micro.ch

Flüssigkeitspumpen KNF Flodos AG

CH-6210 Sursee
info@knf-flodos.ch
www.knf-flodos.ch