

NPK 09 SERIES

SWING PISTON VACUUM PUMPS AND COMPRESSORS



NPK 09 AC



NPK 09 DC



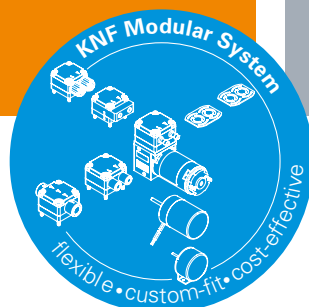
NPK 09.1.2 AC

ADVANTAGES

- High level of performance in a compact size
- High pressure up to 7 bar rel./101.5 psig
- Robust design

POSSIBLE AREAS OF USE

- Diagnostics – transfer of liquids and gaseous samples for analysis
- Medical technology – e.g. inhalation devices
- Vacuum technology – pick & place applications



Please visit our website
www.knf.com
 to get more information

PERFORMANCE DATA

Series model	NPK 09 AC	NPK 09 DC	NPK 09.1 AC	NPK 09.2 AC	NPK 09.1.2 AC
Flow rate at atm. pressure (l/min)	12.0	15.0	24.0		
Ultimate vacuum (mbar abs.)	100			-	100
Max. operating pressure (bar rel./psig)	7.0/101.5		-	7.0/101.5	
Permissible ambient temperature (°C)	+5 ... +40				
Permissible media temperature (°C)	+5 ... +40				
Weight (kg/lbs)	1.8/4.0	1.6/3.5	2.4/5.3		

ELECTRICAL DATA

Voltage (V)	230	12 24	230
Motor	Capacitor motor	DC motor	Capacitor motor
Protection class motor	IP 00	IP 50	IP 00
Frequency (Hz)	50	-	50
Power P ₁ (W)	100	-	180
I _{max} (A)	0.60	5.20 2.60	0.80

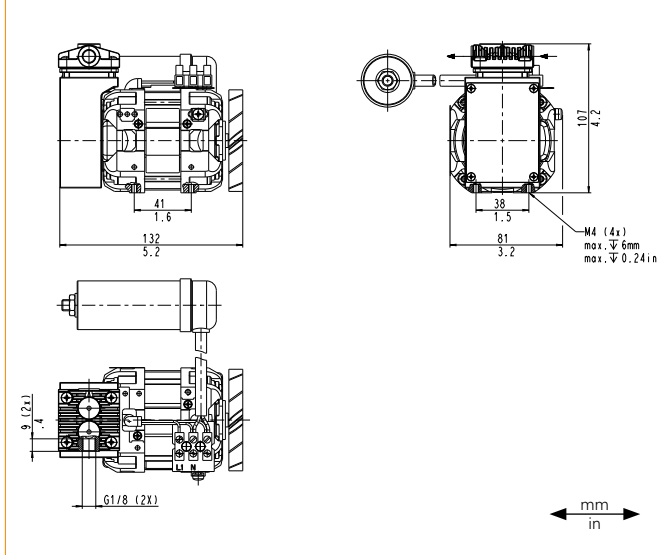
NPK 09 AC

PERFORMANCE DATA

Series model	Flow rate at atm. pressure (l/min) ¹⁾	Max. operating pressure (bar rel./psig)	Ultimate vacuum (mbar abs.)
NPK 09 AC	12.0	7.0/101.5	100

¹⁾ Liter at STP

NPK 09 AC



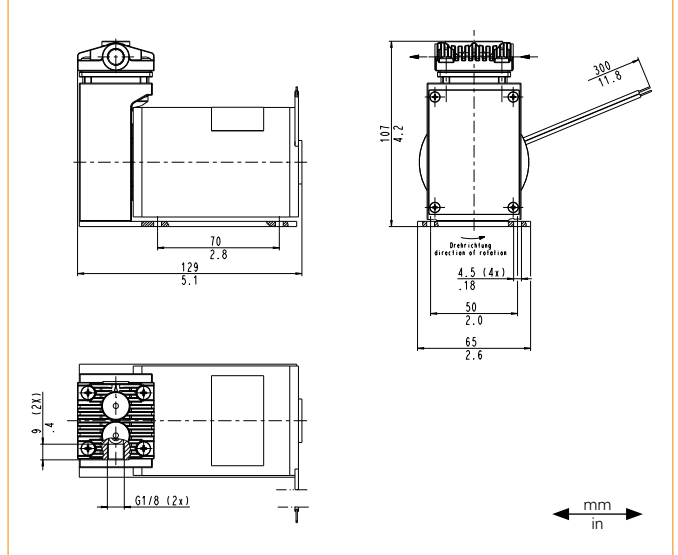
NPK 09 DC

PERFORMANCE DATA

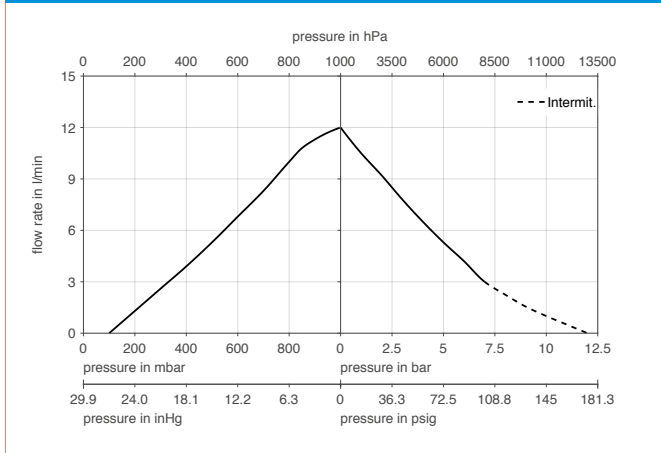
Series model	Flow rate at atm. pressure (l/min) ¹⁾	Max. operating pressure (bar rel./psig)	Ultimate vacuum (mbar abs.)
NPK 09 DC	15.0	7.0/101.5	100

¹⁾ Liter at STP

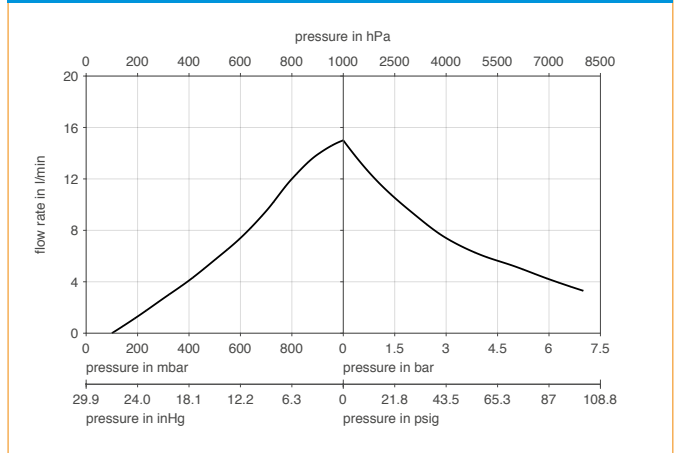
NPK 09 DC



NPK 09 AC



NPK 09 DC



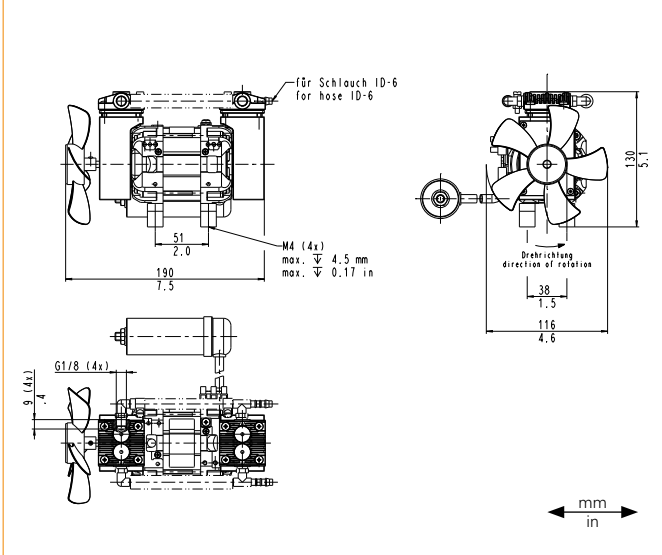
NPK 09.1 | .2 | .1.2 AC

PERFORMANCE DATA

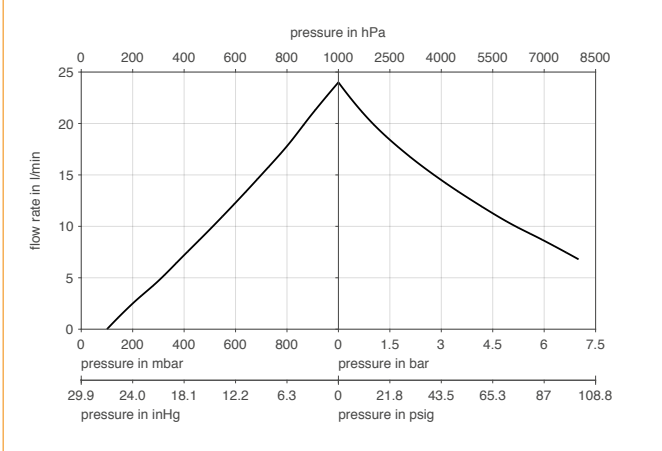
Series model	Flow rate at atm. pressure (l/min) ¹⁾	Max. operating pressure (bar rel./psig)	Ultimate vacuum (mbar abs.)
NPK 09.1 AC	24.0	-	100
NPK 09.2 AC	24.0	7.0/101.5	-
NPK 09.1.2 AC	24.0	7.0/101.5	100

¹⁾ Liter at STP

NPK 09.1 | .2 | .1.2 AC



NPK 09.1 | .2 | .1.2 AC



ACCESSORIES

Description	Part No.	Details
Silencer/Inlet filter	007005	G 1/8
Hose connector for tube ID 6 mm	005148	G 1/8
Gasket	026906	

SPARE PARTS

Description	Part No.	Details
Intermediate plate	025523	
Ribbed head	051565	
Flat headed screw	005112	M4x20
Connection for NPK 09.1 .1.2 (suction side)	026178	Polyamide/rubber
Connection for NPK 09.2 .1.2 (pressure side)	026179	Polyamide/rubber
Gasket	052650	
Valve plate	052649	
O-ring	025547	
Cylinder	025528	
Retainer plate	025530	
Support	025532	
Piston seal	025531	
Countersunk head screw	110725	M4x16
Washer	006886	

The performance values for the series models shown on this data sheet were determined under test conditions. The actual performance values may differ and depend in particular on the usage conditions and therefore on the specific application, on the parameters of the components involved in the user's system and on any technical modifications carried out which deviate from the standard configuration or the as delivered condition.

If individual designs have been created for specific customers on the basis of series models, other technical performance data may apply.

Before operation begins, the relevant operating instructions and/or assembly or installation instructions should be read and the safety information contained in these instructions should be noted.

KNF reserves the right to make changes to the product and the associated documentation without prior notice to the customer.



www.knf.com

YOUR LOCAL PARTNER AROUND THE WORLD

KNF SALES ORGANIZATION

Australia KNF Regional Office
Moreland West VIC 3055
Tel. +61 3 9386 4959
info@knf.com.au
www.knf.com.au

Benelux Netherlands KNF Verder B.V.
3451 GG Vleuten
Tel. +31 30 677 92 40
info@knf-verder.nl
www.knf-verder.nl

Benelux Belgium and Luxemburg
KNF Verder N.V.
2630 Aartselaar
Tel. +32 3 871 96 24
info@knf.be
www.knf.be

China KNF Technology (Shanghai) Co., Ltd.
Shanghai 201203
Tel. +86 21 5109 9695
info@knf.com.cn
www.knf.com.cn

France KNF Neuberger SAS
68128 Village-Neuf
Tel. +33 389 70 35 00
info@knf.fr
www.knf.fr

Germany KNF Neuberger GmbH
79112 Freiburg
Tel. +49 7664 5909 0
info@knf.de
www.knf.de

India KNF Pumps + Systems (India) Pvt. Ltd.
Hinjewadi Pune 411 057
Tel. +91 20 640 13 923
info@knfpumps.in
www.knfpumps.in

Italy KNF Italia S.r.l.
20063 Cernusco s. Naviglio (MI)
Tel. +39 02 929 04 91
info@knf.it
www.knf.it

Japan KNF Japan Co. Ltd.
Tokyo 104-0033
Tel. +81 3 3551 7931
info@knf.co.jp
www.knf.co.jp

Korea KNF Neuberger Ltd.
135-502 Seoul
Tel. +82 2 959 0255
knf@knfkorea.com
www.knfkorea.com

Latin America KNF Regional Office
Tel. +1 609 649 1010
gb@knf.com
www.knf.com/es

Morocco, Tunisia, Algeria
KNF Neuberger SAS
68128 Village-Neuf
Tel. +33 389 70 35 00
info@knf.fr
www.knf.fr

Singapore KNF Regional Office
Tel. +65 9722 1994
info@knf.com.sg
www.knf.com.sg

Sweden, Finland, Denmark, Norway
KNF Neuberger AB
117 43 Stockholm
Tel. +46 8 744 51 13
info@knf.se
www.knf.se

Switzerland KNF Neuberger AG
8362 Balzerswil
Tel. +41 71 973 99 30
knf@knf.ch
www.knf.ch

UK, Ireland KNF Neuberger U.K., Ltd.
Witney, Oxfordshire OX28 4FA
Tel. +44 1993 77 83 73
info@knf.co.uk
www.knf.co.uk

USA, Canada KNF Neuberger, Inc.
Trenton, NJ 08691-1810
Tel. +1 609 890 8600
knfusa@knf.com
www.knfusa.com

KNF PRODUCT CENTERS

Gas Pumps KNF Neuberger GmbH
DE-79112 Freiburg
info@knf.de
www.knf.de

Micro Gas Pumps KNF Micro AG
CH-6260 Reiden
info@knf-micro.ch
www.knf-micro.ch

Liquid Pumps KNF Flodos AG
CH-6210 Sursee
info@knf-flodos.ch
www.knf-flodos.ch