

N 920 SERIES VACUUM PUMPS



N 920 APE-W



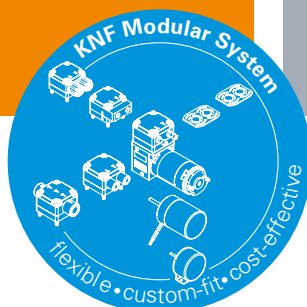
N 920 APDC-B

ADVANTAGES

- Multi-voltage power supply input
- High-speed evacuation of the measurement chamber thanks to exceptional suction speed
- Stable vacuum in the transfer area to the turbomolecular pump

POSSIBLE AREAS OF USE

- Can be used as roughing pump for turbomolecular pumps – i.a. for surface finishing
- Instrumental analysis – especially in the field of spectroscopy
- Used in helium leak detectors



Please visit our website
www.knf.com
to get more information

PERFORMANCE DATA

Series model	N 920	
Material design	APE-W	APDC-B
Pump head	Aluminum	
Diaphragm	EPDM	
Valve plate	EPDM	
Flow rate at atm. pressure (l/min)	21.0	
Ultimate vacuum (mbar abs.)	< 1.5	
Max. operating pressure (bar rel./psig)	0.5/7.3	
Permissible ambient temperature (°C)	+10 ... +40	
Permissible media temperature (°C)	+5 ... +40	
Weight (kg/lbs)	10.0/22.0	8.5/18.7

ELECTRICAL DATA

Voltage (V)	100–240	24
Motor	Brushless DC motor with AC power supply	Brushless DC motor
Protection class motor	IP 20	IP 00
Frequency (Hz)	50–60	-
Power P ₁ (W)	120	100
I _{max} (A)	1.30	4.2 (starting current temporary 200 ms: 7 A)

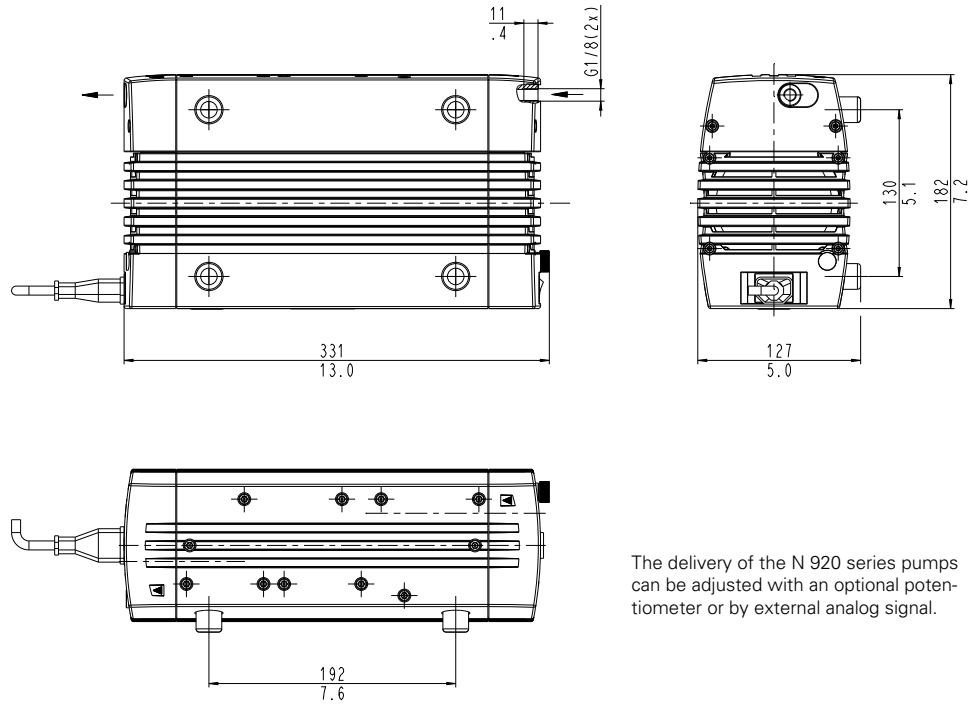
N 920 APE-W

PERFORMANCE DATA

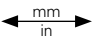
Series model	Flow rate at atm. pressure (l/min) ¹⁾	Max. operating pressure (bar rel./psig)	Ultimate vacuum (mbar abs.)
N 920 APE-W	21.0	0.5/7.3	< 1.5

¹⁾ Liter at STP

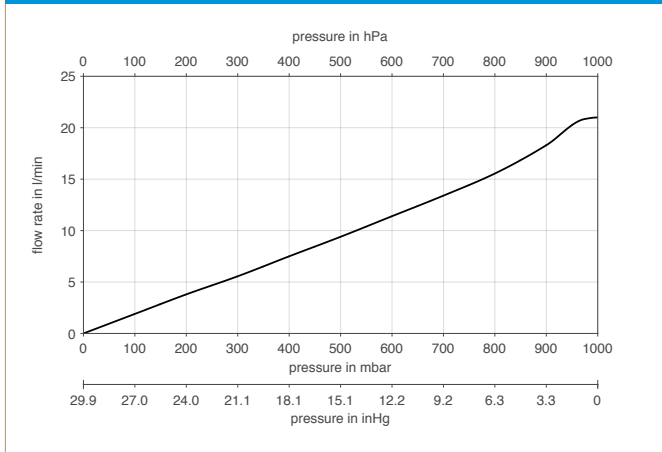
N 920 APE-W



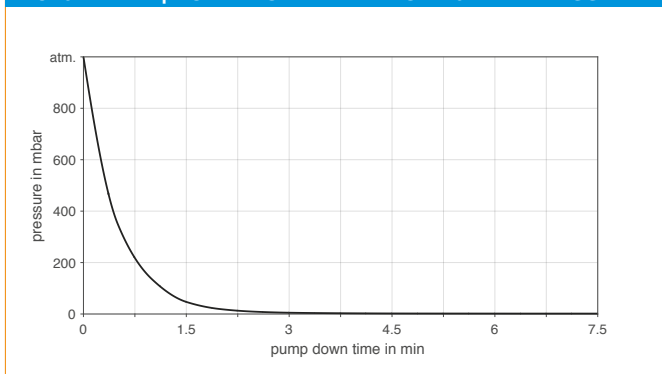
The delivery of the N 920 series pumps can be adjusted with an optional potentiometer or by external analog signal.



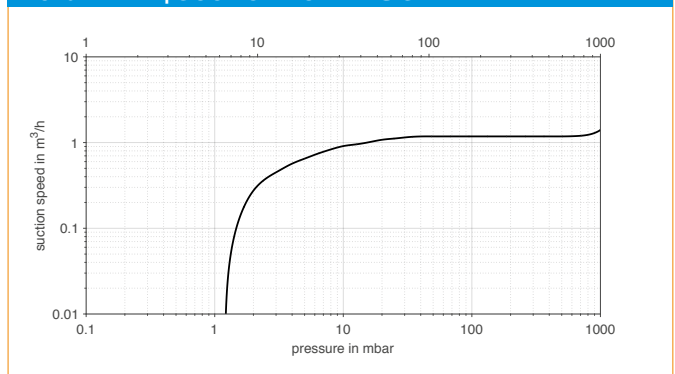
N 920 APE-W



N 920 APE-W | PUMP DOWN TIME FOR 10 LITER VESSEL



N 920 APE-W | SUCTION PUMPING SPEED



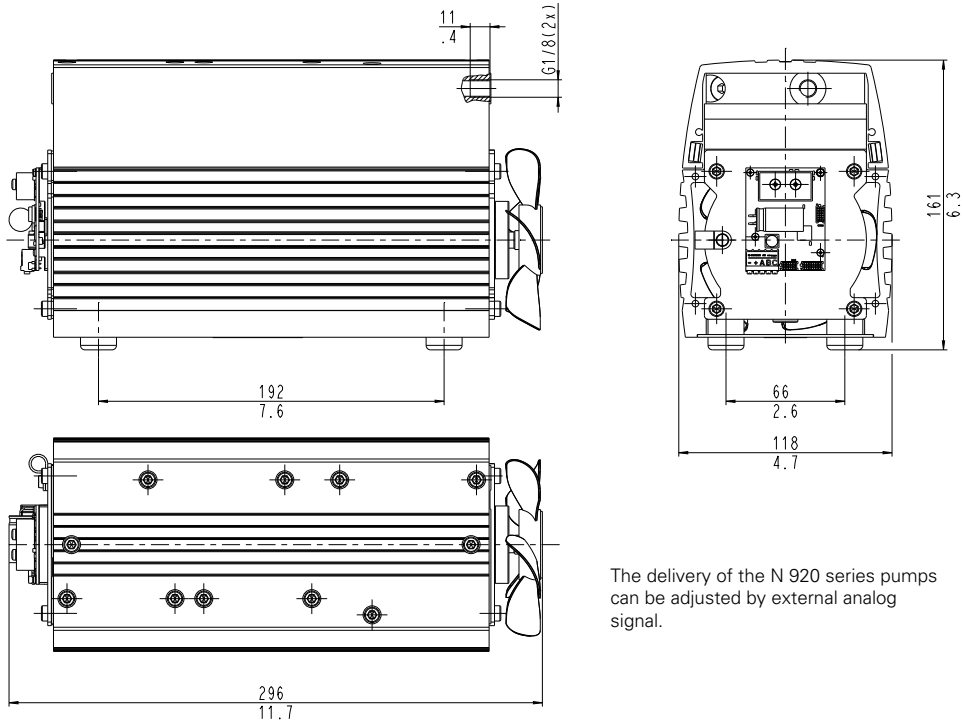
N 920 APDC-B

PERFORMANCE DATA

Series model	Flow rate at atm. pressure (l/min) ¹⁾	Max. operating pressure (bar rel./psig)	Ultimate vacuum (mbar abs.)
N 920 APDC-B	21.0	0.5/7.3	< 1.5

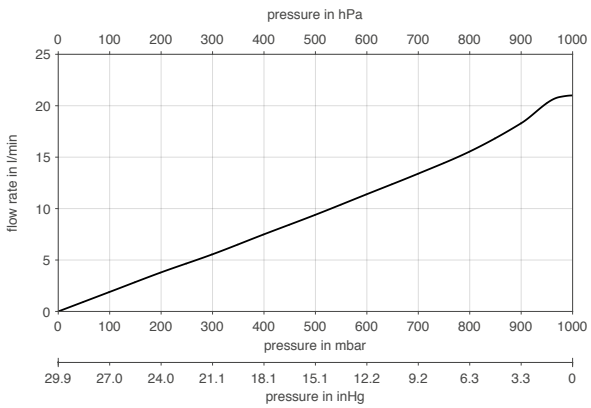
¹⁾ Liter at STP

N 920 APDC-B

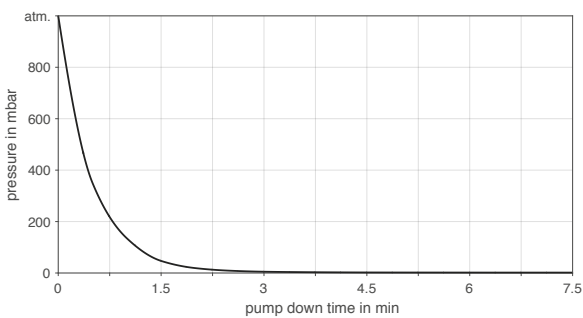


The delivery of the N 920 series pumps can be adjusted by external analog signal.

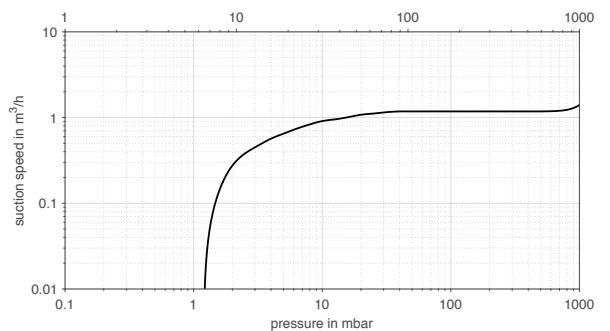
N 920 APDC-B



N 920 APDC-B | PUMP DOWN TIME FOR 10 LITER VESSEL



N 920 APDC-B | SUCTION PUMPING SPEED



ACCESSORIES

Description	Part No.	Details
Silencer/Inlet filter	007006	G 1/8
Small flange, stainless steel	046625	KF 16
Hose connector	029113	G 1/8, for tube ID 9
Sealing for hose connector	026906	

SPARE PARTS

Description	Part No.	Details
Spare parts kit	057456	
Stabilization diaphragm	056523	

The performance values for the series models shown on this data sheet were determined under test conditions. The actual performance values may differ and depend in particular on the usage conditions and therefore on the specific application, on the parameters of the components involved in the user's system and on any technical modifications carried out which deviate from the standard configuration or the as delivered condition.

If individual designs have been created for specific customers on the basis of series models, other technical performance data may apply.

Before operation begins, the relevant operating instructions and/or assembly or installation instructions should be read and the safety information contained in these instructions should be noted.

KNF reserves the right to make changes to the product and the associated documentation without prior notice to the customer.



www.knf.com

YOUR LOCAL PARTNER AROUND THE WORLD

KNF SALES ORGANIZATION

Australia KNF Regional Office
Moreland West VIC 3055
Tel. +61 3 9386 4959
info@knf.com.au
www.knf.com.au

Benelux Netherlands KNF Verder B.V.
3451 GG Vleuten
Tel. +31 30 677 92 40
info@knf-verder.nl
www.knf-verder.nl

Benelux Belgium and Luxemburg
KNF Verder N.V.
2630 Aartselaar
Tel. +32 3 871 96 24
info@knf.be
www.knf.be

China KNF Technology (Shanghai) Co., Ltd.
Shanghai 201203
Tel. +86 21 5109 9695
info@knf.com.cn
www.knf.com.cn

France KNF Neuberger SAS
68128 Village-Neuf
Tel. +33 389 70 35 00
info@knf.fr
www.knf.fr

Germany KNF Neuberger GmbH
79112 Freiburg
Tel. +49 7664 5909 0
info@knf.de
www.knf.de

India KNF Pumps + Systems (India) Pvt. Ltd.
Hinjewadi Pune 411 057
Tel. +91 20 640 13 923
info@knfpumps.in
www.knfpumps.in

Italy KNF Italia S.r.l.
20063 Cernusco s. Naviglio (MI)
Tel. +39 02 929 04 91
info@knf.it
www.knf.it

Japan KNF Japan Co. Ltd.
Tokyo 104-0033
Tel. +81 3 3551 7931
info@knf.co.jp
www.knf.co.jp

Korea KNF Neuberger Ltd.
135-502 Seoul
Tel. +82 2 959 0255
knf@knfkorea.com
www.knfkorea.com

Latin America KNF Regional Office
Tel. +1 609 649 1010
gb@knf.com
www.knf.com/es

Morocco, Tunisia, Algeria
KNF Neuberger SAS
68128 Village-Neuf
Tel. +33 389 70 35 00
info@knf.fr
www.knf.fr

Singapore KNF Regional Office
Tel. +65 9722 1994
info@knf.com.sg
www.knf.com.sg

Sweden, Finland, Denmark, Norway
KNF Neuberger AB
117 43 Stockholm
Tel. +46 8 744 51 13
info@knf.se
www.knf.se

Switzerland KNF Neuberger AG
8362 Balzerswil
Tel. +41 71 973 99 30
knf@knf.ch
www.knf.ch

UK, Ireland KNF Neuberger U.K., Ltd.
Witney, Oxfordshire OX28 4FA
Tel. +44 1993 77 83 73
info@knf.co.uk
www.knf.co.uk

USA, Canada KNF Neuberger, Inc.
Trenton, NJ 08691-1810
Tel. +1 609 890 8600
knfusa@knf.com
www.knfusa.com

KNF PRODUCT CENTERS

Gas Pumps KNF Neuberger GmbH
DE-79112 Freiburg
info@knf.de
www.knf.de

Micro Gas Pumps KNF Micro AG
CH-6260 Reiden
info@knf-micro.ch
www.knf-micro.ch

Liquid Pumps KNF Flodos AG
CH-6210 Sursee
info@knf-flodos.ch
www.knf-flodos.ch