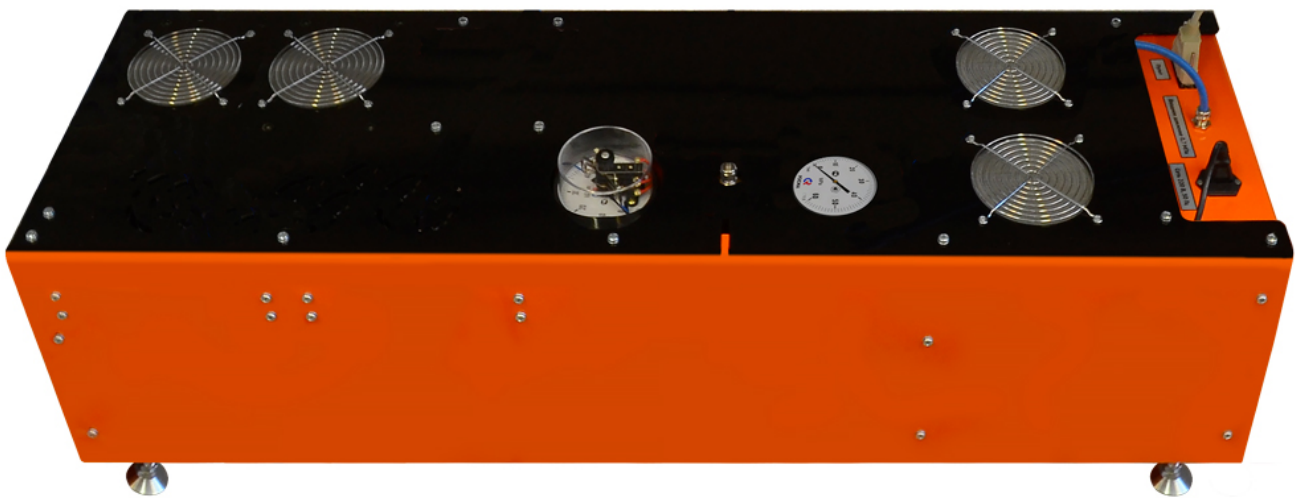


## Electro - pneumatic pressure booster K - 450



### *Intended use*

High pressure generation by means of air or nitrogen. This pressure may be used for to measuring instruments (pressure controllers, etc.) and various actuators feeding, equipment leak and strength tests.

### *Highlights*

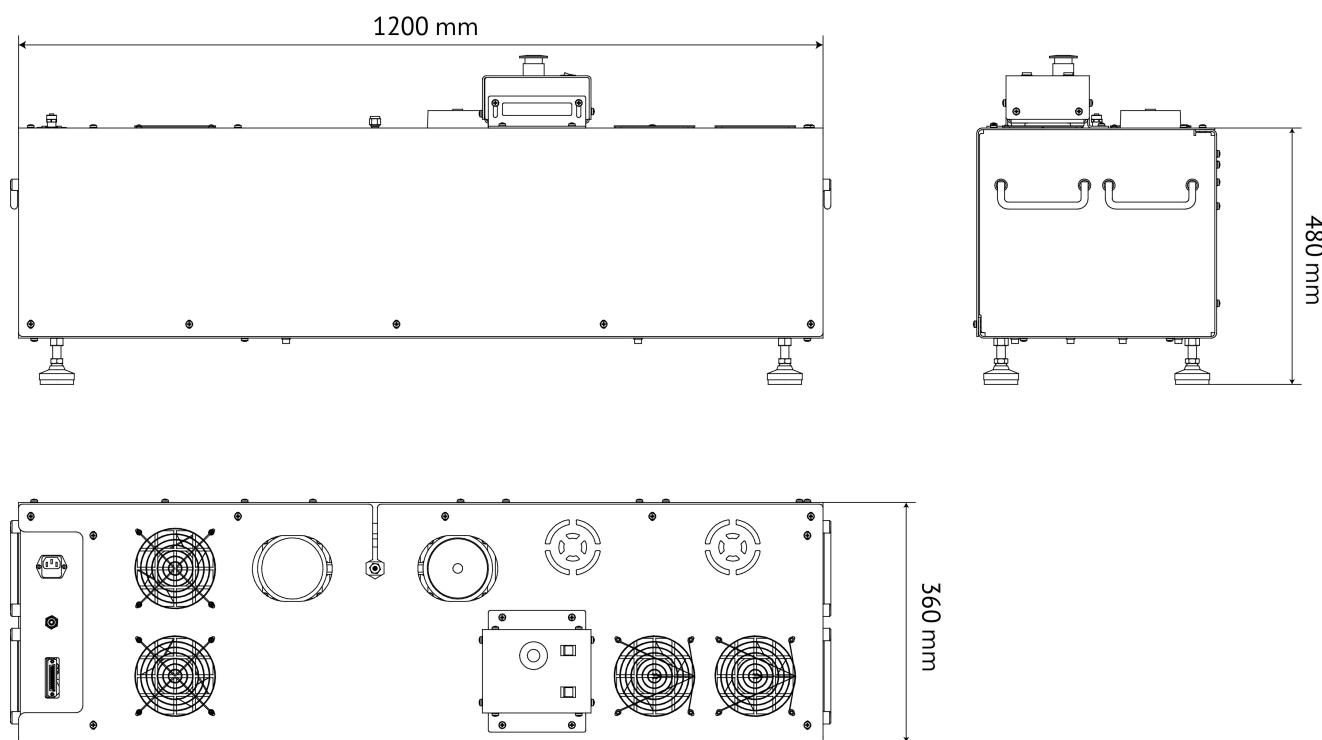
- Maximum pressure generated is 45 MPa
- In contrast with available analogues, this device does not require constant air consumption and pneumatic air supply to the actuator
- High rate of pressure generation with precise set
- Absence of greasing materials within the structure provides for dry and clean compressed air at the output.
- Built-in vibration dampening system and low noise level (lower than 45 dB)
- Automatic protection against overpressure.

The booster (also called as booster compressor) presents a gas compression system fed by external source and is comprised of the power unit (floor-standing) and the control panel (desktop design). Output pressure is adjusted by the user by means of unit built-in electric-contact manometer. When user set pressure is reached, the booster switches-off and is waiting for pressure decrease in the user's device. As soon as the manometer detects pressure decreasing, the booster automatically proceeds the operation. When pressure within the system is constant, the booster is off.

Main Technical and Performance Data

	K-450
Required input pressure	0,7 MPa
Maximum output pressure	45 MPa
Power supply	220V/50HZ AC single-phase network
Power consumption	not more than 0,8 kW
Working medium	dry clean air or nitrogen

Overall dimensions



— Declaration of conformity (rus)

**Standard package:**

- power unit;
- control panel;
- connection cable for control panel;
- network cable;
- user manual.

**Options:**

- input and/or output filter to get output gas of required level of cleanliness;
- low-noise laboratory compressor "K-9" with connecting tube to feed K-450;
- high-pressure output tube, fittings (please specify length and fitting dimensions).

**Alfapascal**

**Alfapascal Limited Liability Company**  
454047 Russia, Chelyabinsk,  
2-ia Paveletskaya, 36  
+ 7 (351) 725 74 50,  
725 74 49.  
info@alfapascal.ru